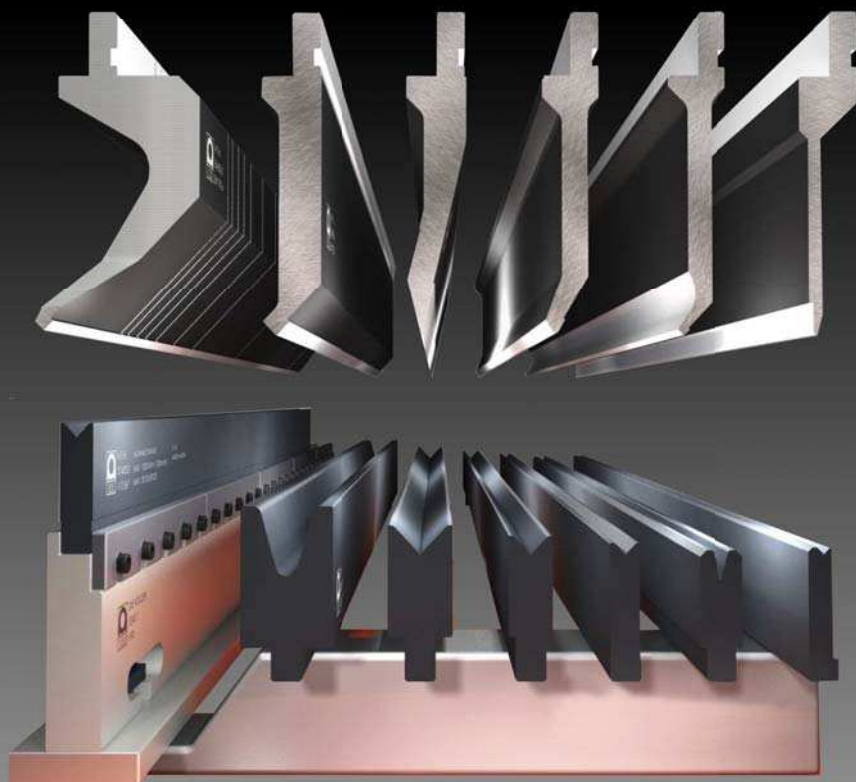


SOLUTION

BENDING TECHNOLOGY



BENDING TOOLS



New A.F.H. Standard

 **AMADA**[®]

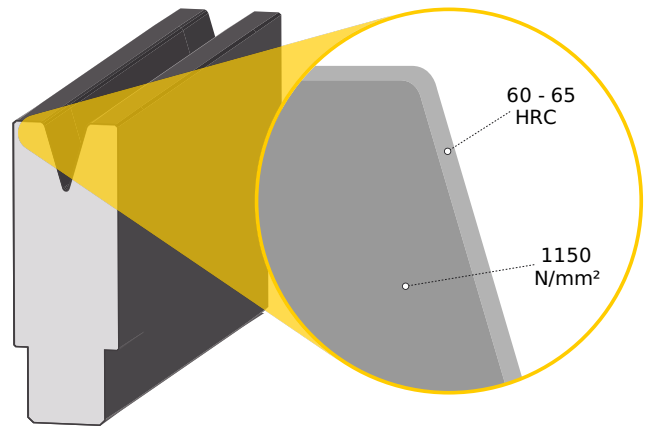
Table of Content


Table of Content	2
Informations	3
AMADA Tools	3
Punch	4
26° Punch	4
30° Punch	5
60° Punch	7
86° Punch	9
88° Punch	14
90° Punch	18
Radius Punch	20
Radius Ruler	24
Offset tool	26
Hemming	28
Die	29
1-V / 30°	29
1-V / 30° STAGED	31
1-V / 45°	32
1-V / 60°	33
1-V / 84°	35
1-V / 86°	36
1-V / 86° STAGED	39
1-V / 88°	41
1-V / 90°	44
2-V / 30° Plug-in system	46
2-V / 60° Plug-in system	47
2-V / 88° Plug-in system	48
2-V / 90° Plug-in system	50
1-V / 30° Clamping system	52
1-V / 45° Clamping system	53
1-V / 60° Clamping system	54
1-V / 85° Slot clamping system	55
1-V / 80° Clamping system	57
3U & 4V Clamping system	58
Hemming	59
Polyurethane Pad	61
Polyurethane Die	64
Die holder 1-V	67
Die holder 2-V	69
Air bending force chart	70
Mild steel	70
Stainless steel	71
Schablonen	72

Optimal protection & highest wear resistance

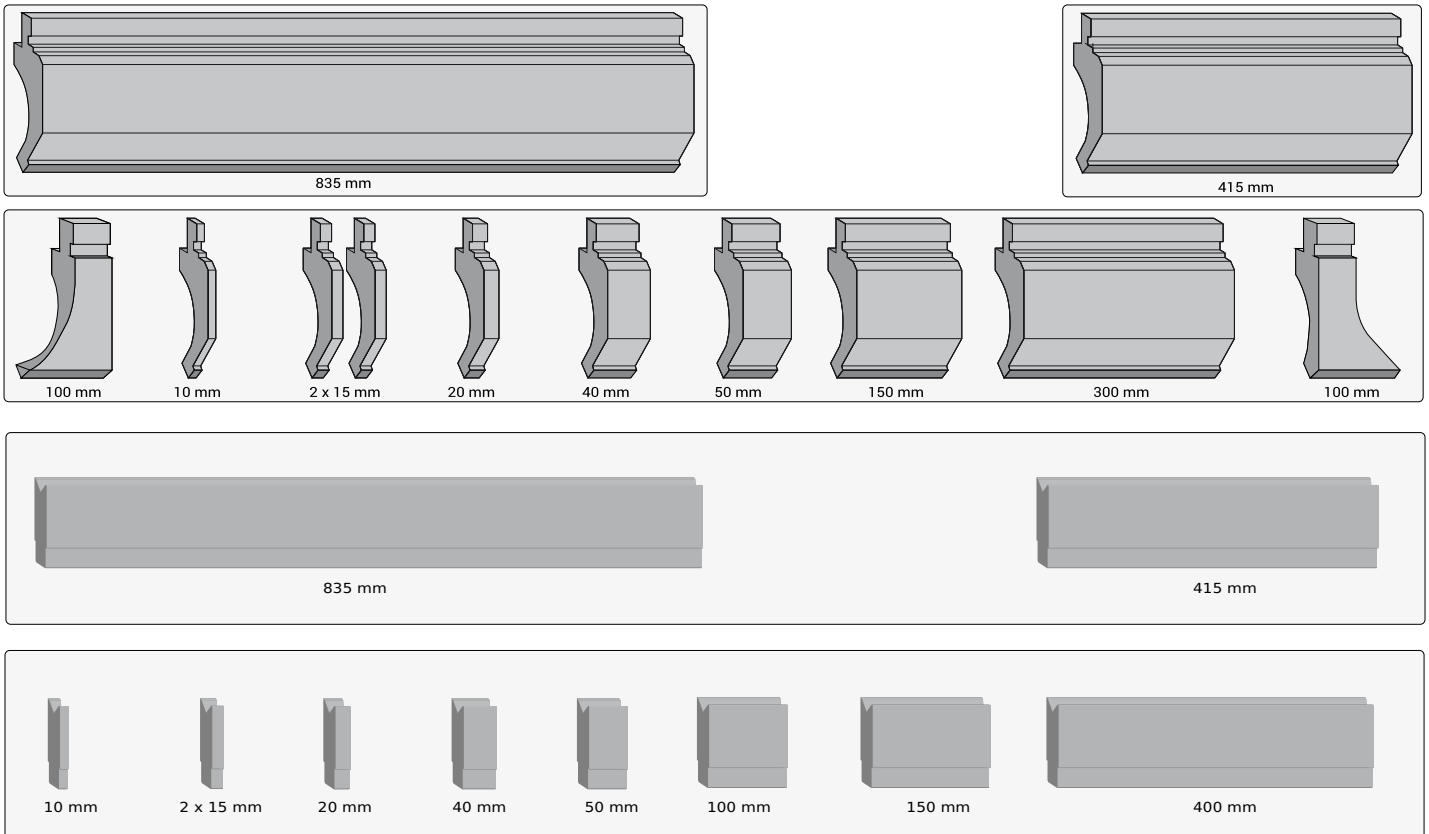
AMAN/IT® Press Brake Toolings have the best qualities for applications where very high wear and extreme load bearing occur.

- provides highest wear resistance on the tool surface (HRC 60-65)
- lowers the friction on the shoulder radii (by compound layer lubricity)
- has high tensile strength - 1150 N/mm²
- adds corrosion resistance to tooling



Tool type	Tip Angle	Maximum pressure	Production date
 835	00406 88° R0.6 (.024) (32.874)	ALLOWABLE TONNAGE MAX: 1000kN/m {100 ton/m} MAX: 30 TON/FOOT	A-8A MADE IN AUSTRIA
Length mm (inch)	Tip radius / V-Size mm (inch)		Country of origin

Available lengths



26° Acute Punch - 831

□

Angle	26°
Height	120.00 mm
Pressure	1000 kN/m
Ear pressure	300 kN/m
Material	42CrMo4
Hardness	45 - 50 HRC Through hardened

Radius 0.6 mm

	Length	Order number		Weight
Long	835 mm	ES8312061	6H 8312061	13.90 kg
Short	415 mm	ES8312062	6H 8312062	6.90 kg
Sectionalized	800 mm	ES8312063	6H 8312063	12.70 kg

30° Acute Punch - 631

□

Angle	30°
Height	65.50 mm
Pressure	1000 kN/m
Ear pressure	300 kN/m
Material	42CrMo4
Hardness	45 - 50 HRC Through hardened

Radius 0.52 mm

	Length	Order number		Weight
Long	835 mm	ES6313051	6H 6313051	8.40 kg
Short	415 mm	ES6313052	6H 6313052	4.20 kg
Sectionalized	800 mm	ES6313053	6H 6313053	7.70 kg

30° Sword Punch - 713

□

Angle	30°
Height	90.00 mm
Pressure	450 kN/m
Ear pressure	120 kN/m
Material	42CrMo4
Hardness	45 - 50 HRC Through hardened

Radius 0.6 mm

	Length	Order number		Weight
Long	835 mm	ES7133061	6H7133061	8.70 kg
Short	415 mm	ES7133062	6H7133062	4.30 kg
Sectionalized	800 mm	ES7133063	6H7133063	7.90 kg

30° Acute Punch - 731

□

Angle	30°
Height	90.00 mm
Pressure	1000 kN/m
Ear pressure	300 kN/m
Material	42CrMo4
Hardness	45 - 50 HRC Through hardened

Radius 0.6 mm

	Length	Order number		Weight
Long	835 mm	ES7313061	6H7313061	10.10 kg
Short	415 mm	ES7313062	6H7313062	5.00 kg
Sectionalized	800 mm	ES7313063	6H7313063	9.20 kg

Radius 1.5 mm

	Length	Order number		Weight
Long	835 mm	ES7313151	6H7313151	10.10 kg
Short	415 mm	ES7313152	6H7313152	5.00 kg
Sectionalized	800 mm	ES7313153	6H7313153	9.20 kg

Radius 3 mm

	Length	Order number		Weight
Long	835 mm	ES7313301	6H7313301	10.10 kg
Short	415 mm	ES7313302	6H7313302	5.00 kg
Sectionalized	800 mm	ES7313303	6H7313303	9.20 kg

30° Acute Punch - 814

Angle	30°
Height	120.00 mm
Pressure	450 kN/m
Ear pressure	120 kN/m
Material	42CrMo4
Hardness	45 - 50 HRC Through hardened

Radius 0.6 mm

	Length	Order number		Weight
Long	835 mm	ES8143061	6H 8143061	9.80 kg
Short	415 mm	ES8143062	6H 8143062	4.90 kg
Sectionalized	800 mm	ES8143063	6H 8143063	8.80 kg

30° Acute Punch - 831

Angle	30°
Height	120.00 mm
Pressure	1000 kN/m
Ear pressure	300 kN/m
Material	42CrMo4
Hardness	45 - 50 HRC Through hardened

Radius 0.6 mm

	Length	Order number		Weight
Long	835 mm	ES8313061	6H 8313061	14.10 kg
Short	415 mm	ES8313062	6H 8313062	7.00 kg
Sectionalized	800 mm	ES8313063	6H 8313063	12.90 kg

Radius 1.5 mm

	Length	Order number		Weight
Long	835 mm	ES8313151	6H 8313151	14.10 kg
Short	415 mm	ES8313152	6H 8313152	7.00 kg
Sectionalized	800 mm	ES8313153	6H 8313153	12.90 kg

Radius 3 mm

	Length	Order number		Weight
Long	835 mm	ES8313301	6H 8313301	13.90 kg
Short	415 mm	ES8313302	6H 8313302	6.90 kg
Sectionalized	800 mm	ES8313303	6H 8313303	12.70 kg

Radius 4 mm

	Length	Order number		Weight
Long	835 mm	ES8313401	6H 8313401	13.90 kg
Short	415 mm	ES8313402	6H 8313402	6.90 kg
Sectionalized	800 mm	ES8313403	6H 8313403	12.70 kg

30° Acute Punch - 914

Angle	30°
Height	160.00 mm
Pressure	450 kN/m
Ear pressure	120 kN/m
Material	42CrMo4
Hardness	45 - 50 HRC Through hardened

Radius 0.6 mm

	Length	Order number		Weight
Long	835 mm	ES9143061	6H 9143061	15.10 kg
Short	415 mm	ES9143062	6H 9143062	7.50 kg
Sectionalized	800 mm	ES9143063	6H 9143063	13.60 kg

60° Heavy Duty Punch - 603

Angle	60°
Height	65.00 mm
Pressure	1000 kN/m
Ear pressure	1000 kN/m
Material	42CrMo4
Hardness	45 - 50 HRC Through hardened

Radius 6 mm

	Length	Order number		Weight
Long	835 mm	ES6036601	6H 6036601	12.10 kg
Short	415 mm	ES6036602	6H 6036602	6.00 kg
Sectionalized	800 mm	ES6036603	6H 6036603	10.90 kg

60° Sword Punch - 640 (splayed)

Angle	60°
Height	67.00 mm
Pressure	1000 kN/m
Ear pressure	300 kN/m
Material	42CrMo4
Hardness	45 - 50 HRC Through hardened

Radius 0.8 mm

	Length	Order number		Weight
Long	835 mm	ES6406081	6H 6406081	8.30 kg
Short	415 mm	ES6406082	6H 6406082	4.10 kg
Sectionalized	800 mm	ES6406083	6H 6406083	7.60 kg

Radius 2 mm

	Length	Order number		Weight
Long	835 mm	ES6406201	6H 6406201	8.30 kg
Short	415 mm	ES6406202	6H 6406202	4.10 kg
Sectionalized	800 mm	ES6406203	6H 6406203	7.60 kg

60° Heavy Duty Punch - 803

Angle	60°
Height	120.00 mm
Pressure	1000 kN/m
Ear pressure	1000 kN/m
Material	42CrMo4
Hardness	45 - 50 HRC Through hardened

Radius 5 mm

	Length	Order number		Weight
Long	835 mm	ES8036501	6H 8036501	21.80 kg
Short	415 mm	ES8036502	6H 8036502	10.80 kg
Sectionalized	800 mm	ES8036503	6H 8036503	19.50 kg

Radius 6 mm

	Length	Order number		Weight
Long	835 mm	ES8036601	6H8036601	21.80 kg
Short	415 mm	ES8036602	6H8036602	10.80 kg
Sectionalized	800 mm	ES8036603	6H8036603	19.50 kg

60° Sword Punch - 840 (splayed)

□

Angle	60°
Height	120.00 mm
Pressure	700 kN/m
Ear pressure	300 kN/m
Material	42CrMo4
Hardness	45 - 50 HRC Through hardened

Radius 0.6 mm

	Length	Order number		Weight
Long	835 mm	ES8406061	6H8406061	12.40 kg
Short	415 mm	ES8406062	6H8406062	6.20 kg
Sectionalized	800 mm	ES8406063	6H8406063	11.00 kg

Radius 1.5 mm

	Length	Order number		Weight
Long	835 mm	ES8406151	6H 8406151	12.40 kg
Short	415 mm	ES8406152	6H 8406152	6.20 kg
Sectionalized	800 mm	ES8406153	6H 8406153	11.00 kg

60° Gooseneck Punch - 841

□

Angle	60°
Height	120.00 mm
Pressure	700 kN/m
Ear pressure	300 kN/m
Material	42CrMo4
Hardness	45 - 50 HRC Through hardened

Radius 0.6 mm

	Length	Order number		Weight
Long	835 mm	ES8416061	6H 8416061	19.20 kg
Short	415 mm	ES8416062	6H 8416062	9.50 kg
Sectionalized	800 mm	ES8416063	6H 8416063	16.90 kg

Radius 1.5 mm

	Length	Order number		Weight
Long	835 mm	ES8416151	6H 8416151	19.20 kg
Short	415 mm	ES8416152	6H 8416152	9.50 kg
Sectionalized	800 mm	ES8416153	6H 8416153	16.90 kg

86° Standard Punch - 704

Angle	86°
Height	90.00 mm
Pressure	1000 kN/m
Ear pressure	450 kN/m
Material	42CrMo4
Hardness	45 - 50 HRC Through hardened

Radius 0.6 mm

	Length	Order number		Weight
Long	835 mm	ES7048061	6H7048061	13.30 kg
Short	415 mm	ES7048062	6H7048062	6.60 kg
Sectionalized	800 mm	ES7048063	6H7048063	11.80 kg

Radius 1.5 mm

	Length	Order number		Weight
Long	835 mm	ES7048151	6H7048151	13.30 kg
Short	415 mm	ES7048152	6H7048152	6.60 kg
Sectionalized	800 mm	ES7048153	6H7048153	11.80 kg

Radius 3 mm

	Length	Order number		Weight
Long	835 mm	ES7048301	6H7048301	13.30 kg
Short	415 mm	ES7048302	6H7048302	6.60 kg
Sectionalized	800 mm	ES7048303	6H7048303	11.80 kg

86° Thin Sheet Punch - 717

Angle	86°
Height	90.00 mm
Pressure	200 kN/m
Ear pressure	150 kN/m
Material	42CrMo4
Hardness	45 - 50 HRC Through hardened

Radius 0.6 mm

	Length	Order number		Weight
Long	835 mm	ES7178061	6H7178061	11.80 kg
Short	415 mm	ES7178062	6H7178062	5.80 kg
Sectionalized	800 mm	ES7178063	6H7178063	11.00 kg

86° Sword Punch - 720

Angle	86°
Height	90.00 mm
Pressure	500 kN/m
Ear pressure	200 kN/m
Material	42CrMo4
Hardness	45 - 50 HRC Through hardened

Radius 0.6 mm

	Length	Order number		Weight
Long	835 mm	ES7208061	6H7208061	9.10 kg
Short	415 mm	ES7208062	6H7208062	4.50 kg
Sectionalized	800 mm	ES7208063	6H7208063	8.20 kg

Radius 1.5 mm

	Length	Order number		Weight
Long	835 mm	ES7208151	6H7208151	9.10 kg
Short	415 mm	ES7208152	6H7208152	4.50 kg
Sectionalized	800 mm	ES7208153	6H7208153	8.20 kg

86° Gooseneck Punch - 746

Angle	86°
Height	90.00 mm
Pressure	550 kN/m
Ear pressure	350 kN/m
Material	42CrMo4
Hardness	45 - 50 HRC Through hardened

Radius 0.6 mm

	Length	Order number		Weight
Long	835 mm	ES7468061	6H7468061	18.30 kg
Short	415 mm	ES7468062	6H7468062	9.10 kg
Sectionalized	800 mm	ES7468063	6H7468063	16.10 kg

86° Gooseneck Punch - 747

Angle	86°
Height	90.00 mm
Pressure	800 kN/m
Ear pressure	450 kN/m
Material	42CrMo4
Hardness	45 - 50 HRC Through hardened

Radius 0.6 mm

	Length	Order number		Weight
Long	835 mm	ES7478061	6H7478061	19.40 kg
Short	415 mm	ES7478062	6H7478062	9.60 kg
Sectionalized	800 mm	ES7478063	6H7478063	17.10 kg

Radius 1.5 mm

	Length	Order number		Weight
Long	835 mm	ES7478151	6H7478151	19.40 kg
Short	415 mm	ES7478152	6H7478152	9.60 kg
Sectionalized	800 mm	ES7478153	6H7478153	17.10 kg

Radius 3 mm

	Length	Order number		Weight
Long	835 mm	ES7478301	6H7478301	19.40 kg
Short	415 mm	ES7478302	6H7478302	9.60 kg
Sectionalized	800 mm	ES7478303	6H7478303	17.10 kg

86° Standard Punch - 804

Angle	86°
Height	120.00 mm
Pressure	1000 kN/m
Ear pressure	450 kN/m
Material	42CrMo4
Hardness	45 - 50 HRC Through hardened

Radius 0.6 mm

	Length	Order number		Weight
Long	835 mm	ES8048061	6H 8048061	17.10 kg
Short	415 mm	ES8048062	6H 8048062	8.50 kg
Sectionalized	800 mm	ES8048063	6H 8048063	15.10 kg

Radius 1.5 mm

	Length	Order number		Weight
Long	835 mm	ES8048151	6H 8048151	17.10 kg
Short	415 mm	ES8048152	6H 8048152	8.50 kg
Sectionalized	800 mm	ES8048153	6H 8048153	15.10 kg

Radius 3 mm

	Length	Order number		Weight
Long	835 mm	ES8048301	6H 8048301	17.10 kg
Short	415 mm	ES8048302	6H 8048302	8.50 kg
Sectionalized	800 mm	ES8048303	6H 8048303	15.10 kg

86° Thin Sheet Punch - 817

□

Angle	86°
Height	120.00 mm
Pressure	300 kN/m
Ear pressure	150 kN/m
Material	42CrMo4
Hardness	45 - 50 HRC Through hardened

Radius 0.6 mm

	Length	Order number		Weight
Long	835 mm	ES8178061	6H 8178061	11.10 kg
Short	415 mm	ES8178062	6H 8178062	5.50 kg
Sectionalized	800 mm	ES8178063	6H 8178063	10.40 kg

86° Sword Punch - 820

□

Angle	86°
Height	120.00 mm
Pressure	500 kN/m
Ear pressure	200 kN/m
Material	42CrMo4
Hardness	45 - 50 HRC Through hardened

Radius 0.6 mm

	Length	Order number		Weight
Long	835 mm	ES8208061	6H 8208061	11.70 kg
Short	415 mm	ES8208062	6H 8208062	5.80 kg
Sectionalized	800 mm	ES8208063	6H 8208063	10.50 kg

Radius 1.5 mm

	Length	Order number		Weight
Long	835 mm	ES8208151	6H 8208151	11.70 kg
Short	415 mm	ES8208152	6H 8208152	5.80 kg
Sectionalized	800 mm	ES8208153	6H 8208153	10.50 kg

86° Gooseneck Punch - 846

□

Angle	86°
Height	120.00 mm
Pressure	450 kN/m
Ear pressure	350 kN/m
Material	42CrMo4
Hardness	45 - 50 HRC Through hardened

Radius 0.6 mm

	Length	Order number		Weight
Long	835 mm	ES8468061	6H 8468061	23.30 kg
Short	415 mm	ES8468062	6H 8468062	11.60 kg
Sectionalized	800 mm	ES8468063	6H 8468063	20.50 kg

86° Gooseneck Punch - 847

Angle	86°
Height	120.00 mm
Pressure	500 kN/m
Ear pressure	450 kN/m
Material	42CrMo4
Hardness	45 - 50 HRC Through hardened

Radius 0.6 mm

	Length	Order number		Weight
Long	835 mm	ES8478061	6H 8478061	25.20 kg
Short	415 mm	ES8478062	6H 8478062	12.50 kg
Sectionalized	800 mm	ES8478063	6H 8478063	22.20 kg

Radius 1.5 mm

	Length	Order number		Weight
Long	835 mm	ES8478151	6H 8478151	25.20 kg
Short	415 mm	ES8478152	6H 8478152	12.50 kg
Sectionalized	800 mm	ES8478153	6H 8478153	22.20 kg

Radius 3 mm

	Length	Order number		Weight
Long	835 mm	ES8478301	6H 8478301	25.20 kg
Short	415 mm	ES8478302	6H 8478302	12.50 kg
Sectionalized	800 mm	ES8478303	6H 8478303	22.20 kg

86° Standard Punch - 904

Angle	86°
Height	160.00 mm
Pressure	1000 kN/m
Ear pressure	450 kN/m
Material	42CrMo4
Hardness	45 - 50 HRC Through hardened

Radius 0.6 mm

	Length	Order number		Weight
Long	835 mm	ES9048061	6H9048061	22.10 kg
Short	415 mm	ES9048062	6H9048062	11.00 kg
Sectionalized	800 mm	ES9048063	6H9048063	19.50 kg

Radius 1.5 mm

	Length	Order number		Weight
Long	835 mm	ES9048151	6H9048151	22.10 kg
Short	415 mm	ES9048152	6H9048152	11.00 kg
Sectionalized	800 mm	ES9048153	6H9048153	19.50 kg

Radius 3 mm

	Length	Order number		Weight
Long	835 mm	ES9048301	6H9048301	22.10 kg
Short	415 mm	ES9048302	6H9048302	11.00 kg
Sectionalized	800 mm	ES9048303	6H9048303	19.50 kg

86° Gooseneck Punch - 947

□

Angle	86°
Height	160.00 mm
Pressure	500 kN/m
Ear pressure	450 kN/m
Material	42CrMo4
Hardness	45 - 50 HRC Through hardened

Radius 1.5 mm

	Length	Order number		Weight
Long	835 mm	ES9478151	6H9478151	39.10 kg
Short	415 mm	ES9478152	6H9478152	19.40 kg
Sectionalized	800 mm	ES9478153	6H9478153	34.30 kg

Radius 3 mm

	Length	Order number		Weight
Long	835 mm	ES9478301	6H9478301	39.10 kg
Short	415 mm	ES9478302	6H9478302	19.40 kg
Sectionalized	800 mm	ES9478303	6H9478303	34.30 kg

88° Standard Punch - 604

Angle	88°
Height	67.00 mm
Pressure	1000 kN/m
Ear pressure	450 kN/m
Material	42CrMo4
Hardness	45 - 50 HRC Through hardened

Radius 0.2 mm

	Length	Order number		Weight
Long	835 mm	ES6047021	6H6047021	11.00 kg
Short	415 mm	ES6047022	6H6047022	5.50 kg
Sectionalized	800 mm	ES6047023	6H6047023	9.70 kg

Radius 0.6 mm

	Length	Order number		Weight
Long	835 mm	ES6047061	6H6047061	11.00 kg
Short	415 mm	ES6047062	6H6047062	5.50 kg
Sectionalized	800 mm	ES6047063	6H6047063	9.70 kg

Radius 0.8 mm

	Length	Order number		Weight
Long	835 mm	ES6047081	6H6047081	11.00 kg
Short	415 mm	ES6047082	6H6047082	5.50 kg
Sectionalized	800 mm	ES6047083	6H6047083	9.70 kg

Radius 1.5 mm

	Length	Order number		Weight
Long	835 mm	ES6047151	6H6047151	11.00 kg
Short	415 mm	ES6047152	6H6047152	5.50 kg
Sectionalized	800 mm	ES6047153	6H6047153	9.70 kg

Radius 3 mm

	Length	Order number		Weight
Long	835 mm	ES6047301	6H6047301	11.00 kg
Short	415 mm	ES6047302	6H6047302	5.50 kg
Sectionalized	800 mm	ES6047303	6H6047303	9.70 kg

88° Thin Sheet Punch - 617

Angle	88°
Height	67.00 mm
Pressure	300 kN/m
Ear pressure	150 kN/m
Material	42CrMo4
Hardness	45 - 50 HRC Through hardened

Radius 0.2 mm

	Length	Order number		Weight
Long	835 mm	ES6177021	6H6177021	10.20 kg
Short	415 mm	ES6177022	6H6177022	5.10 kg
Sectionalized	800 mm	ES6177023	6H6177023	9.50 kg

Radius 0.6 mm

	Length	Order number		Weight
Long	835 mm	ES6177061	6H6177061	10.20 kg
Short	415 mm	ES6177062	6H6177062	5.10 kg
Sectionalized	800 mm	ES6177063	6H6177063	9.50 kg

Radius 0.8 mm

	Length	Order number		Weight
Long	835 mm	ES6177081	6H6177081	10.20 kg
Short	415 mm	ES6177082	6H6177082	5.10 kg
Sectionalized	800 mm	ES6177083	6H6177083	9.50 kg

88° Standard Punch - 704

Angle	88°
Height	90.00 mm
Pressure	1000 kN/m
Ear pressure	450 kN/m
Material	42CrMo4
Hardness	45 - 50 HRC Through hardened

Radius 0.6 mm

	Length	Order number		Weight
Long	835 mm	ES7047061	6H7047061	13.30 kg
Short	415 mm	ES7047062	6H7047062	6.60 kg
Sectionalized	800 mm	ES7047063	6H7047063	11.80 kg

88° Thin Sheet Punch - 717

Angle	88°
Height	90.00 mm
Pressure	200 kN/m
Ear pressure	150 kN/m
Material	42CrMo4
Hardness	45 - 50 HRC Through hardened

Radius 0.6 mm

	Length	Order number		Weight
Long	835 mm	ES7177061	6H7177061	11.80 kg
Short	415 mm	ES7177062	6H7177062	5.80 kg
Sectionalized	800 mm	ES7177063	6H7177063	11.00 kg

88° Sword Punch - 720

Angle	88°
Height	90.00 mm
Pressure	500 kN/m
Ear pressure	200 kN/m
Material	42CrMo4
Hardness	45 - 50 HRC Through hardened

Radius 0.6 mm

	Length	Order number		Weight
Long	835 mm	ES7207061	6H7207061	9.10 kg
Short	415 mm	ES7207062	6H7207062	4.50 kg
Sectionalized	800 mm	ES7207063	6H7207063	8.20 kg

88° Gooseneck Punch - 746

□

Angle	88°
Height	90.00 mm
Pressure	550 kN/m
Ear pressure	350 kN/m
Material	42CrMo4
Hardness	45 - 50 HRC Through hardened

Radius 0.6 mm

	Length	Order number		Weight
Long	835 mm	ES7467061	6H7467061	18.30 kg
Short	415 mm	ES7467062	6H7467062	9.10 kg
Sectionalized	800 mm	ES7467063	6H7467063	16.10 kg

88° Gooseneck Punch - 747

□

Angle	88°
Height	90.00 mm
Pressure	800 kN/m
Ear pressure	450 kN/m
Material	42CrMo4
Hardness	45 - 50 HRC Through hardened

Radius 0.6 mm

	Length	Order number		Weight
Long	835 mm	ES7477061	6H7477061	19.40 kg
Short	415 mm	ES7477062	6H7477062	9.60 kg
Sectionalized	800 mm	ES7477063	6H7477063	17.10 kg

88° Standard Punch - 804

□

Angle	88°
Height	120.00 mm
Pressure	1000 kN/m
Ear pressure	450 kN/m
Material	42CrMo4
Hardness	45 - 50 HRC Through hardened

Radius 0.6 mm

	Length	Order number		Weight
Long	835 mm	ES8047061	6H 8047061	17.10 kg
Short	415 mm	ES8047062	6H 8047062	8.50 kg
Sectionalized	800 mm	ES8047063	6H 8047063	15.10 kg

88° Thin Sheet Punch - 817

□

Angle	88°
Height	120.00 mm
Pressure	300 kN/m
Ear pressure	150 kN/m
Material	42CrMo4
Hardness	45 - 50 HRC Through hardened

Radius 0.6 mm

	Length	Order number		Weight
Long	835 mm	ES8177061	6H 8177061	11.10 kg
Short	415 mm	ES8177062	6H 8177062	5.50 kg
Sectionalized	800 mm	ES8177063	6H 8177063	10.40 kg

88° Sword Punch - 820

Angle	88°
Height	120.00 mm
Pressure	500 kN/m
Ear pressure	200 kN/m
Material	42CrMo4
Hardness	45 - 50 HRC Through hardened

Radius 0.6 mm

	Length	Order number		Weight
Long	835 mm	ES8207061	6H 8207061	11.70 kg
Short	415 mm	ES8207062	6H 8207062	5.80 kg
Sectionalized	800 mm	ES8207063	6H 8207063	10.50 kg

88° Gooseneck Punch - 846

Angle	88°
Height	120.00 mm
Pressure	450 kN/m
Ear pressure	350 kN/m
Material	42CrMo4
Hardness	45 - 50 HRC Through hardened

Radius 0.6 mm

	Length	Order number		Weight
Long	835 mm	ES8467061	6H 8467061	23.30 kg
Short	415 mm	ES8467062	6H 8467062	11.60 kg
Sectionalized	800 mm	ES8467063	6H 8467063	20.50 kg

88° Gooseneck Punch - 847

Angle	88°
Height	120.00 mm
Pressure	500 kN/m
Ear pressure	450 kN/m
Material	42CrMo4
Hardness	45 - 50 HRC Through hardened

Radius 0.6 mm

	Length	Order number		Weight
Long	835 mm	ES8477061	6H 8477061	25.20 kg
Short	415 mm	ES8477062	6H 8477062	12.50 kg
Sectionalized	800 mm	ES8477063	6H 8477063	22.20 kg

88° Standard Punch - 904

Angle	88°
Height	160.00 mm
Pressure	1000 kN/m
Ear pressure	450 kN/m
Material	42CrMo4
Hardness	45 - 50 HRC Through hardened

Radius 0.6 mm

	Length	Order number		Weight
Long	835 mm	ES9047061	6H9047061	22.10 kg
Short	415 mm	ES9047062	6H9047062	11.00 kg
Sectionalized	800 mm	ES9047063	6H9047063	19.50 kg

90° Standard Punch - 604

□

Angle	90°
Height	67.00 mm
Pressure	1000 kN/m
Ear pressure	450 kN/m
Material	42CrMo4
Hardness	45 - 50 HRC Through hardened

Radius 0.2 mm

	Length	Order number		Weight
Long	835 mm	ES6049021	6H6049021	11.00 kg
Short	415 mm	ES6049022	6H6049022	5.50 kg
Sectionalized	800 mm	ES6049023	6H6049023	9.70 kg

Radius 0.6 mm

	Length	Order number		Weight
Long	835 mm	ES6049061	6H6049061	11.00 kg
Short	415 mm	ES6049062	6H6049062	5.50 kg
Sectionalized	800 mm	ES6049063	6H6049063	9.70 kg

90° Thin Sheet Punch - 617

□

Angle	90°
Height	67.00 mm
Pressure	300 kN/m
Ear pressure	150 kN/m
Material	42CrMo4
Hardness	45 - 50 HRC Through hardened

Radius 0.2 mm

	Length	Order number		Weight
Long	835 mm	ES6179021	6H6179021	10.20 kg
Short	415 mm	ES6179022	6H6179022	5.10 kg
Sectionalized	800 mm	ES6179023	6H6179023	9.50 kg

Radius 0.6 mm

	Length	Order number		Weight
Long	835 mm	ES6179061	6H6179061	10.20 kg
Short	415 mm	ES6179062	6H6179062	5.10 kg
Sectionalized	800 mm	ES6179063	6H6179063	9.50 kg

90° Standard Punch - 704

□

Angle	90°
Height	90.00 mm
Pressure	1000 kN/m
Ear pressure	450 kN/m
Material	42CrMo4
Hardness	45 - 50 HRC Through hardened

Radius 0.6 mm

	Length	Order number		Weight
Long	835 mm	ES7049061	6H 7049061	13.30 kg
Short	415 mm	ES7049062	6H 7049062	6.60 kg
Sectionalized	800 mm	ES7049063	6H 7049063	11.80 kg

90° Standard Punch - 747

□

Angle	90°
Height	90.00 mm
Pressure	800 kN/m
Ear pressure	450 kN/m
Material	42CrMo4
Hardness	45 - 50 HRC Through hardened

Radius 0.6 mm

	Length	Order number		Weight
Long	835 mm	ES7479061	6H7479061	19.40 kg
Short	415 mm	ES7479062	6H7479062	9.60 kg
Sectionalized	800 mm	ES7479063	6H7479063	17.10 kg

90° Standard Punch - 804

□

Angle	90°
Height	120.00 mm
Pressure	1000 kN/m
Ear pressure	450 kN/m
Material	42CrMo4
Hardness	45 - 50 HRC Through hardened

Radius 0.6 mm

	Length	Order number		Weight
Long	835 mm	ES8049061	6H 8049061	17.10 kg
Short	415 mm	ES8049062	6H 8049062	8.50 kg
Sectionalized	800 mm	ES8049063	6H 8049063	15.10 kg

90° Gooseneck Punch - 847

□

Angle	90°
Height	120.00 mm
Pressure	500 kN/m
Ear pressure	450 kN/m
Material	42CrMo4
Hardness	45 - 50 HRC Through hardened

Radius 0.6 mm

	Length	Order number		Weight
Long	835 mm	ES8479061	6H 8479061	25.20 kg
Short	415 mm	ES8479062	6H 8479062	12.50 kg
Sectionalized	800 mm	ES8479063	6H 8479063	22.20 kg

Radiuspunch holder - 0150

Height	67.00 mm
Width	14.00 mm
Pressure	1000 kN/m
Material	C45
Hardness	23 - 28 HRC not hardened

	Length	Order number		Weight
Long	830 mm	EH0150001	6H 0150001	9.80 kg
Short	412 mm	EH0150002	6H 0150002	4.90 kg

Radiuspunch holder - 0160

Height	104.00 mm
Width	14.00 mm
Pressure	1000 kN/m
Material	C45
Hardness	23 - 28 HRC not hardened

	Length	Order number		Weight
Long	830 mm	EH0160001	6H 0160001	11.80 kg
Short	412 mm	EH0160002	6H 0160002	5.90 kg

Radius Punch - R7

Height	11.50 mm
Pressure	1000 kN/m
Material	C45
Hardness	23 - 28 HRC not hardened

Radius

	Length	Order number		Weight
Long	835 mm	ES0170071	6H0170071	1.00 kg
Short	415 mm	ES0170072	6H0170072	0.60 kg

Radius Punch - R8

Height	13.00 mm
Pressure	1000 kN/m
Material	C45
Hardness	23 - 28 HRC not hardened

Radius

	Length	Order number		Weight
Long	835 mm	ES0170081	6H0170081	1.50 kg
Short	415 mm	ES0170082	6H0170082	0.80 kg

Radius Punch - R9

Height	16.00 mm
Pressure	1000 kN/m
Material	C45
Hardness	23 - 28 HRC not hardened

Radius

	Length	Order number		Weight
Long	835 mm	ES0170091	6H0170091	1.90 kg
Short	415 mm	ES0170092	6H0170092	0.90 kg

Radius Punch - R10

□

Height	16.00 mm
Pressure	1000 kN/m
Material	C45
Hardness	23 - 28 HRC not hardened

Radius

	Length	Order number		Weight
Long	835 mm	ES0170101	6H0170101	2.10 kg
Short	415 mm	ES0170102	6H0170102	1.10 kg

Radius Punch - R11

□

Height	16.00 mm
Pressure	1000 kN/m
Material	C45
Hardness	23 - 28 HRC not hardened

Radius

	Length	Order number		Weight
Long	835 mm	ES0170111	6H0170111	2.30 kg
Short	415 mm	ES0170112	6H0170112	1.20 kg

Radius Punch - R12,5

□

Height	16.00 mm
Pressure	1000 kN/m
Material	C45
Hardness	23 - 28 HRC not hardened

Radius

	Length	Order number		Weight
Long	835 mm	ES0170121	6H0170121	2.70 kg
Short	415 mm	ES0170122	6H0170122	1.40 kg

Radius Punch - R14

□

Height	19.00 mm
Pressure	1000 kN/m
Material	C45
Hardness	23 - 28 HRC not hardened

Radius

	Length	Order number		Weight
Long	835 mm	ES0170141	6H0170141	3.60 kg
Short	415 mm	ES0170142	6H0170142	1.80 kg

Radius Punch - R15

□

Height	20.00 mm
Pressure	1000 kN/m
Material	C45
Hardness	23 - 28 HRC not hardened

Radius

	Length	Order number		Weight
Long	835 mm	ES0170151	6H0170151	4.10 kg
Short	415 mm	ES0170152	6H0170152	2.00 kg

Radius Punch - R16

□

Height	21.00 mm
Pressure	1000 kN/m
Material	C45
Hardness	23 - 28 HRC not hardened

Radius

	Length	Order number		Weight
Long	835 mm	ES0170161	6H0170161	4.60 kg
Short	415 mm	ES0170162	6H0170162	2.30 kg

Radius Punch - R17,5

Height	22.00 mm
Pressure	1000 kN/m
Material	C45
Hardness	23 - 28 HRC not hardened

Radius

	Length	Order number		Weight
Long	835 mm	ES0170171	6H0170171	5.20 kg
Short	415 mm	ES0170172	6H0170172	2.80 kg

Radius Punch - R20

Height	24.00 mm
Pressure	1000 kN/m
Material	C45
Hardness	23 - 28 HRC not hardened

Radius

	Length	Order number		Weight
Long	835 mm	ES0170201	6H0170201	6.80 kg
Short	415 mm	ES0170202	6H0170202	3.40 kg

Radius Punch - R22,5

Height	28.00 mm
Pressure	1000 kN/m
Material	C45
Hardness	23 - 28 HRC not hardened

Radius

	Length	Order number		Weight
Long	835 mm	ES0170221	6H0170221	8.80 kg
Short	415 mm	ES0170222	6H0170222	4.40 kg

Radius Punch - R25

Height	29.00 mm
Pressure	1000 kN/m
Material	C45
Hardness	23 - 28 HRC not hardened

Radius

	Length	Order number		Weight
Long	835 mm	ES0170251	6H0170251	10.20 kg
Short	415 mm	ES0170252	6H0170252	5.10 kg

Radius Punch - R30

Height	34.00 mm
Pressure	1000 kN/m
Material	C45
Hardness	23 - 28 HRC not hardened

Radius

	Length	Order number		Weight
Long	835 mm	ES0170301	6H0170301	14.00 kg
Short	415 mm	ES0170302	6H0170302	7.00 kg

Radius Punch - R35

Height	40.00 mm
Pressure	1000 kN/m
Material	C45
Hardness	23 - 28 HRC not hardened

Radius

	Length	Order number		Weight
Long	835 mm	ES0170351	6H0170351	18.90 kg
Short	415 mm	ES0170352	6H0170352	14.20 kg

Radius Punch - R40

□

Height	45.00 mm
Pressure	1000 kN/m
Material	C45
Hardness	23 - 28 HRC not hardened

Radius

	Length	Order number		Weight
Long	835 mm	ES0170401	6H0170401	23.70 kg
Short	415 mm	ES0170402	6H0170402	11.70 kg

Radius Punch - R45

□

Height	50.00 mm
Pressure	1000 kN/m
Material	C45
Hardness	23 - 28 HRC not hardened

Radius

	Length	Order number		Weight
Long	835 mm	ES0170451	6H0170451	29.10 kg
Short	415 mm	ES0170452	6H0170452	14.50 kg

Radius Punch - R50

□

Height	55.00 mm
Pressure	1000 kN/m
Material	C45
Hardness	23 - 28 HRC not hardened

Radius

	Length	Order number		Weight
Long	835 mm	ES0170501	6H0170501	35.00 kg
Short	415 mm	ES0170502	6H0170502	17.50 kg

Holder for radius ruler - 91 (Tool holder)

Height	60.00 mm
Width	13.00 mm
Pressure	1000 kN/m
Material	C45
Hardness	23 - 28 HRC

	Length	Order number		Weight
Long	835 mm	DX091001	6H091001	10.00 kg
Short	415 mm	DX091002	6H091002	5.00 kg
Sectionalized	835 mm	DX091801	6H091801	10.00 kg

Radius Ruler - R3

Height	31.50 mm
Width	6.00 mm
Pressure	1000 kN/m
Material	
Hardness	0 - 0 HRC

Radius

	Length	Order number		Weight
Long	835 mm	DX090301	6H090301	0.20 kg
Short	415 mm	DX090302	6H090302	0.10 kg
Sectionalized	835 mm	DX090831	6H090831	0.20 kg

Radius Ruler - R4

Height	33.70 mm
Width	8.00 mm
Pressure	1000 kN/m
Material	
Hardness	0 - 0 HRC

Radius

	Length	Order number		Weight
Long	835 mm	DX090401	6H090401	0.30 kg
Short	415 mm	DX090402	6H090402	0.10 kg
Sectionalized	835 mm	DX090841	6H090841	0.30 kg

Radius Ruler - R5

Height	35.71 mm
Width	10.00 mm
Pressure	1000 kN/m
Material	
Hardness	0 - 0 HRC

Radius

	Length	Order number		Weight
Long	835 mm	DX090501	6H090501	0.50 kg
Short	415 mm	DX090502	6H090502	0.50 kg
Sectionalized	835 mm	DX090851	6H090851	0.50 kg

Radius Ruler - R6

Height	33.61 mm
Width	12.00 mm
Pressure	1000 kN/m
Material	
Hardness	0 - 0 HRC

Radius

	Length	Order number		Weight
Long	835 mm	DX090601	6H090601	0.70 kg
Short	415 mm	DX090602	6H090602	0.30 kg
Sectionalized	835 mm	DX090861	6H090861	0.70 kg

Radius Ruler - R8

□

Height	37.83 mm
Width	16.00 mm
Pressure	1000 kN/m
Material	
Hardness	0 - 0 HRC

Radius

	Length	Order number		Weight
Long	835 mm	DX090801	6H090801	1.30 kg
Short	415 mm	DX090802	6H090802	0.60 kg
Sectionalized	835 mm	DX090881	6H090881	1.30 kg

Radius Ruler - R10

□

Height	41.96 mm
Width	20.00 mm
Pressure	1000 kN/m
Material	
Hardness	0 - 0 HRC

Radius

	Length	Order number		Weight
Long	835 mm	DX090101	6H090101	2.10 kg
Short	415 mm	DX090102	6H090102	1.00 kg
Sectionalized	835 mm	DX090811	6H090811	2.10 kg

Note

- Staged offset tools are reversible and can be mounted on a punch or die holder
- Use with holder 0282 for H=90mm and with 0582 for H=120mm punch height
- Two of each code are required when ordering a punch and die set

Punch holder - 0282

Height	90.00 mm
Pressure	1000 kN/m
Material	42CrMo4
Hardness	0 - 0 HRC

	Length	Order number		Weight
Short	420 mm	EH0282002	6H 0282002	4.30 kg

Punch holder - 0582

Height	120.00 mm
Pressure	1000 kN/m
Material	42CrMo4
Hardness	45 - 50 HRC

	Length	Order number		Weight
Short	420 mm	EH0582002	6H 0582002	7.50 kg

Offset tool - Z3

Height	60.80 mm
Width	14.00 mm
Pressure	1000 kN/m
Material	42CrMo4
Hardness	60 - 65 HRC Through hardened AMANIT® coating

Can be used as upper and lower tool

	Length	Order number		Weight
Long	835 mm	ED1630061	6H 1630061	5.40 kg
Short	415 mm	ED1630062	6H 1630062	2.70 kg
Sectionalized	800 mm	ED1630063	6H 1630063	5.20 kg

Offset tool - Z4

Height	61.10 mm
Width	14.00 mm
Pressure	1000 kN/m
Material	42CrMo4
Hardness	60 - 65 HRC Through hardened AMANIT® coating

Can be used as upper and lower tool

	Length	Order number		Weight
Long	835 mm	ED1640081	6H 1640081	5.40 kg
Short	415 mm	ED1640082	6H 1640082	2.70 kg
Sectionalized	800 mm	ED1640083	6H 1640083	5.20 kg

Offset tool - Z5

Height	61.30 mm
Width	14.00 mm
Pressure	1000 kN/m
Material	42CrMo4
Hardness	60 - 65 HRC Through hardened AMANIT® coating

Can be used as upper and lower tool

	Length	Order number		Weight
Long	835 mm	ED1650101	6H 1650101	5.40 kg
Short	415 mm	ED1650102	6H 1650102	2.70 kg
Sectionalized	800 mm	ED1650103	6H 1650103	5.20 kg

Offset tool - Z6

□

Height	61.70 mm
Width	18.00 mm
Pressure	1000 kN/m
Material	42CrMo4
Hardness	60 - 65 HRC Through hardened AMANIT® coating

Can be used as upper and lower tool

	Length	Order number		Weight
Long	835 mm	ED1660101	6H 1660101	6.40 kg
Short	415 mm	ED1660102	6H 1660102	3.20 kg
Sectionalized	800 mm	ED1660103	6H 1660103	6.10 kg

Offset tool - Z8

□

Height	62.40 mm
Width	22.00 mm
Pressure	1000 kN/m
Material	42CrMo4
Hardness	60 - 65 HRC Through hardened AMANIT® coating

Can be used as upper and lower tool

	Length	Order number		Weight
Long	835 mm	ED1680101	6H 1680101	7.50 kg
Short	415 mm	ED1680102	6H 1680102	3.70 kg
Sectionalized	800 mm	ED1680103	6H 1680103	7.20 kg

Offset tool - Z10

□

Height	63.10 mm
Width	26.00 mm
Pressure	1000 kN/m
Material	42CrMo4
Hardness	60 - 65 HRC Through hardened AMANIT® coating

Can be used as upper and lower tool

	Length	Order number		Weight
Long	835 mm	ED1610101	6H 1610101	8.60 kg
Short	415 mm	ED1610102	6H 1610102	4.30 kg
Sectionalized	800 mm	ED1610103	6H 1610103	8.20 kg

Hemming tool - 622

Type	Hemming tool
Height	65.00 mm
Pressure	1000 kN/m
Material	42CrMo4
Hardness	45 - 50 HRC Through hardened

	Length	Order number		Weight
Long	835 mm	ES6220001	6H 6220001	13.50 kg
Short	415 mm	ES6220002	6H 6220002	6.70 kg

Hemming tool - 822

Type	Hemming tool
Height	120.00 mm
Pressure	1000 kN/m
Material	42CrMo4
Hardness	45 - 50 HRC Through hardened

	Length	Order number		Weight
Long	835 mm	ES8220001	6H 8220001	27.80 kg
Short	415 mm	ES8220002	6H 8220002	13.80 kg
Sectionalized	800 mm	ES8220003	6H 8220003	26.60 kg

Hemming tool - (V0 / 0°)

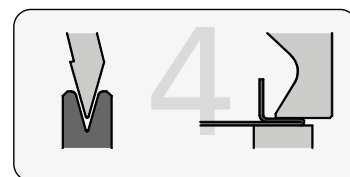
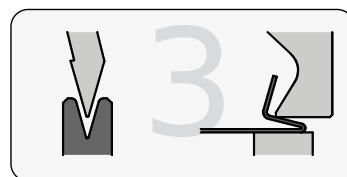
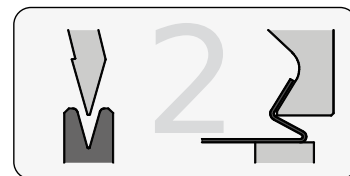
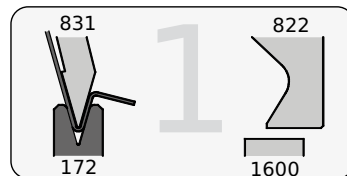
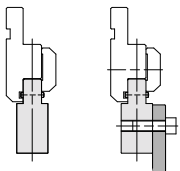
Type	
Height	60.00 mm
Pressure	1000 kN/m
Material	42CrMo4
Hardness	60 - 65 HRC Through hardened AMANIT® coating

	Length	Order number		Weight
Long	835 mm	ED1600001	6H 1600001	8.00 kg
Short	415 mm	ED1600002	6H 1600002	4.00 kg
Sectionalized	800 mm	ED1600003	6H 1600003	7.70 kg

Hemming tool - Tool stop

Width	10.00 mm
Length	0.00 mm
Height	55.00 mm

	Length	Order number		Weight
Long	835 mm	ED1600011	6H1600011	3.70 kg
Short	415 mm	ED1600012	6H1600012	1.80 kg
Sectionalized	800 mm	ED1600013	6H1600013	3.50 kg



1V Die - (V6 / 30°)

□

	V6 x 30° / (R 1.00 mm)
Height	60.00 mm
Width	17.00 mm
Pressure	500 kN/m
Material	42CrMo4
Hardness	60 - 65 HRC Through hardened AMANIT® coating
Installation	Plug-in system

	Length	Order number		Weight
Long	835 mm	ED0703101	6H 0703101	6.00 kg
Short	415 mm	ED0703102	6H 0703102	3.00 kg
Sectionalized	800 mm	ED0703103	6H 0703103	5.70 kg

1V Die - (V8 / 30°)

□

	V8 x 30° / (R 1.50 mm)
Height	60.00 mm
Width	20.00 mm
Pressure	600 kN/m
Material	42CrMo4
Hardness	60 - 65 HRC Through hardened AMANIT® coating
Installation	Plug-in system

	Length	Order number		Weight
Long	835 mm	ED0713151	6H 0713151	6.80 kg
Short	415 mm	ED0713152	6H 0713152	3.40 kg
Sectionalized	800 mm	ED0713153	6H 0713153	6.50 kg

1V Die - (V10 / 30°)

□

	V10 x 30° / (R 2.00 mm)
Height	60.00 mm
Width	24.00 mm
Pressure	700 kN/m
Material	42CrMo4
Hardness	60 - 65 HRC Through hardened AMANIT® coating
Installation	Plug-in system

	Length	Order number		Weight
Long	835 mm	ED0723201	6H 0723201	7.70 kg
Short	415 mm	ED0723202	6H 0723202	3.80 kg
Sectionalized	800 mm	ED0723203	6H 0723203	7.40 kg

1V Die - (V12 / 30°)

□

	V12 x 30° / (R 2.50 mm)
Height	60.00 mm
Width	30.00 mm
Pressure	800 kN/m
Material	42CrMo4
Hardness	60 - 65 HRC Through hardened AMANIT® coating
Installation	Plug-in system

	Length	Order number		Weight
Long	835 mm	ED0743251	6H 0743251	9.10 kg
Short	415 mm	ED0743252	6H 0743252	4.50 kg
Sectionalized	800 mm	ED0743253	6H 0743253	8.70 kg

1V Die - (V16 / 30°)

□

	V16 x 30° / (R 3.00 mm)
Height	60.00 mm
Width	33.00 mm
Pressure	600 kN/m
Material	42CrMo4
Hardness	60 - 65 HRC Through hardened AMANIT® coating
Installation	Plug-in system

	Length	Order number		Weight
Long	835 mm	ED0773301	6H 0773301	9.70 kg
Short	415 mm	ED0773302	6H 0773302	4.80 kg
Sectionalized	800 mm	ED0773303	6H 0773303	9.30 kg

1V Die - (V20 / 30°)

□

	V20 x 30° / (R 4.00 mm)
Height	80.00 mm
Width	40.00 mm
Pressure	600 kN/m
Material	42CrMo4
Hardness	60 - 65 HRC Through hardened AMANIT® coating
Installation	Plug-in system

	Length	Order number		Weight
Long	835 mm	ED0793401	6H 0793401	16.40 kg
Short	415 mm	ED0793402	6H 0793402	8.20 kg
Sectionalized	800 mm	ED0793403	6H 0793403	15.70 kg

1V Die - (V25 / 30°)

□

	V25 x 30° / (R 4.00 mm)
Height	80.00 mm
Width	42.00 mm
Pressure	600 kN/m
Material	42CrMo4
Hardness	60 - 65 HRC Through hardened AMANIT® coating
Installation	Plug-in system

	Length	Order number		Weight
Long	835 mm	ED0823401	6H 0823401	16.40 kg
Short	415 mm	ED0823402	6H 0823402	8.20 kg
Sectionalized	800 mm	ED0823403	6H 0823403	15.70 kg

1V Die - (V6 / 30°)

□

	V6 x 30° / (R 1.00 mm)
Height	67.30 mm
Width	14.00 mm
Pressure	400 kN/m
Material	42CrMo4
Hardness	60 - 65 HRC Through hardened AMANIT® coating
Installation	Plug-in system

	Length	Order number		Weight
Long	835 mm	ED1703101	6H 1703101	5.90 kg
Short	415 mm	ED1703102	6H 1703102	3.00 kg
Sectionalized	800 mm	ED1703103	6H 1703103	5.70 kg

1V Die - (V8 / 30°)

□

	V8 x 30° / (R 1.50 mm)
Height	71.00 mm
Width	16.00 mm
Pressure	500 kN/m
Material	42CrMo4
Hardness	60 - 65 HRC Through hardened AMANIT® coating
Installation	Plug-in system

	Length	Order number		Weight
Long	835 mm	ED1713151	6H 1713151	6.80 kg
Short	415 mm	ED1713152	6H 1713152	3.70 kg
Sectionalized	800 mm	ED1713153	6H 1713153	6.50 kg

1V Die - (V10 / 30°)

□

	V10 x 30° / (R 2.00 mm)
Height	74.70 mm
Width	20.00 mm
Pressure	600 kN/m
Material	42CrMo4
Hardness	60 - 65 HRC Through hardened AMANIT® coating
Installation	Plug-in system

	Length	Order number		Weight
Long	835 mm	ED1723201	6H 1723201	8.30 kg
Short	415 mm	ED1723202	6H 1723202	4.20 kg
Sectionalized	800 mm	ED1723203	6H 1723203	8.00 kg

1V Die - (V12 / 30°)

□

	V12 x 30° / (R 2.50 mm)
Height	78.50 mm
Width	25.00 mm
Pressure	700 kN/m
Material	42CrMo4
Hardness	60 - 65 HRC Through hardened AMANIT® coating
Installation	Plug-in system

	Length	Order number		Weight
Long	835 mm	ED1743251	6H 1743251	10.50 kg
Short	415 mm	ED1743252	6H 1743252	5.20 kg
Sectionalized	800 mm	ED1743253	6H 1743253	10.00 kg

1V Die - (V32 / 45°)

□

	V32 x 45° / (R 5.00 mm)
Height	80.00 mm
Width	32.00 mm
Pressure	1000 kN/m
Material	42CrMo4
Hardness	60 - 65 HRC Through hardened AMANIT® coating
Installation	Plug-in system

	Length	Order number		Weight
Long	835 mm	ED0871501	6H 0871501	18.20 kg
Short	415 mm	ED0871502	6H 0871502	9.10 kg
Sectionalized	800 mm	ED0871503	6H 0871503	17.40 kg

1V Die - (V40 / 45°)

□

	V40 x 45° / (R 5.00 mm)
Height	80.00 mm
Width	60.00 mm
Pressure	1000 kN/m
Material	42CrMo4
Hardness	60 - 65 HRC Through hardened AMANIT® coating
Installation	Plug-in system

	Length	Order number		Weight
Long	835 mm	ED0881501	6H 0881501	20.10 kg
Short	415 mm	ED0881502	6H 0881502	10.00 kg
Sectionalized	800 mm	ED0881503	6H 0881503	19.30 kg

1V Die - (V6 / 60°)

□

	V6 x 60° / (R 0.60 mm)
Height	60.00 mm
Width	10.00 mm
Pressure	380 kN/m
Material	42CrMo4
Hardness	60 - 65 HRC Through hardened AMANIT® coating
Installation	Plug-in system

	Length	Order number		Weight
Long	835 mm	ED0706061	6H 0706061	4.40 kg
Short	415 mm	ED0706062	6H 0706062	2.20 kg
Sectionalized	800 mm	ED0706063	6H 0706063	4.20 kg

1V Die - (V8 / 60°)

□

	V8 x 60° / (R 0.80 mm)
Height	60.00 mm
Width	13.00 mm
Pressure	450 kN/m
Material	42CrMo4
Hardness	60 - 65 HRC Through hardened AMANIT® coating
Installation	Plug-in system

	Length	Order number		Weight
Long	835 mm	ED0716081	6H 0716081	5.10 kg
Short	415 mm	ED0716082	6H 0716082	2.50 kg
Sectionalized	800 mm	ED0716083	6H 0716083	4.90 kg

1V Die - (V10 / 60°)

□

	V10 x 60° / (R 1.00 mm)
Height	60.00 mm
Width	16.00 mm
Pressure	550 kN/m
Material	42CrMo4
Hardness	60 - 65 HRC Through hardened AMANIT® coating
Installation	Plug-in system

	Length	Order number		Weight
Long	835 mm	ED0726101	6H 0726101	5.80 kg
Short	415 mm	ED0726102	6H 0726102	2.90 kg
Sectionalized	800 mm	ED0726103	6H 0726103	5.50 kg

1V Die - (V12 / 60°)

□

	V12 x 60° / (R 1.20 mm)
Height	60.00 mm
Width	17.00 mm
Pressure	550 kN/m
Material	42CrMo4
Hardness	60 - 65 HRC Through hardened AMANIT® coating
Installation	Plug-in system

	Length	Order number		Weight
Long	835 mm	ED0746121	6H 0746121	5.90 kg
Short	415 mm	ED0746122	6H 0746122	3.00 kg
Sectionalized	800 mm	ED0746123	6H 0746123	5.70 kg

1V Die - (V16 / 60°)

□

	V16 x 60° / (R 1.60 mm)
Height	60.00 mm
Width	22.00 mm
Pressure	650 kN/m
Material	42CrMo4
Hardness	60 - 65 HRC Through hardened AMANIT® coating
Installation	Plug-in system

	Length	Order number		Weight
Long	835 mm	ED0776161	6H 0776161	7.10 kg
Short	415 mm	ED0776162	6H 0776162	3.50 kg
Sectionalized	800 mm	ED0776163	6H 0776163	6.80 kg

1V Die - (V20 / 60°)

□

	V20 x 60° / (R 2.00 mm)
Height	60.00 mm
Width	28.00 mm
Pressure	850 kN/m
Material	42CrMo4
Hardness	60 - 65 HRC Through hardened AMANIT® coating
Installation	Plug-in system

	Length	Order number		Weight
Long	835 mm	ED0796201	6H 0796201	8.40 kg
Short	415 mm	ED0796202	6H 0796202	4.20 kg
Sectionalized	800 mm	ED0796203	6H 0796203	8.10 kg

1V Die - (V25 / 60°)

□

	V25 x 60° / (R 2.50 mm)
Height	60.00 mm
Width	31.00 mm
Pressure	850 kN/m
Material	42CrMo4
Hardness	60 - 65 HRC Through hardened AMANIT® coating
Installation	Plug-in system

	Length	Order number		Weight
Long	835 mm	ED0826251	6H 0826251	8.70 kg
Short	415 mm	ED0826252	6H 0826252	4.30 kg
Sectionalized	800 mm	ED0826253	6H 0826253	8.30 kg

1V Die - (V32 / 84°)

□

	V32 x 84° / (R 4.00 mm)
Height	60.00 mm
Width	36.00 mm
Pressure	1000 kN/m
Material	42CrMo4
Hardness	60 - 65 HRC Through hardened AMANIT® coating
Installation	Plug-in system

	Length	Order number		Weight
Long	835 mm	ED0874401	6H 0874401	10.60 kg
Short	415 mm	ED0874402	6H 0874402	5.30 kg
Sectionalized	800 mm	ED0874403	6H 0874403	10.20 kg

1V Die - (V40 / 84°)

□

	V40 x 84° / (R 4.00 mm)
Height	60.00 mm
Width	26.00 mm
Pressure	1000 kN/m
Material	42CrMo4
Hardness	60 - 65 HRC Through hardened AMANIT® coating
Installation	Plug-in system

	Length	Order number		Weight
Long	835 mm	ED0884401	6H 0884401	11.80 kg
Short	415 mm	ED0884402	6H 0884402	5.90 kg
Sectionalized	800 mm	ED0884403	6H 0884403	11.30 kg

1V Die - (V4 / 86°)

□

	V4 x 86° / (R 1.00 mm)
Height	60.00 mm
Width	10.00 mm
Pressure	750 kN/m
Material	42CrMo4
Hardness	60 - 65 HRC Through hardened AMANIT® coating
Installation	Plug-in system

	Length	Order number		Weight
Long	835 mm	ED0848101	6H 0848101	4.10 kg
Short	415 mm	ED0848102	6H 0848102	2.10 kg
Sectionalized	800 mm	ED0848103	6H 0848103	4.00 kg

1V Die - (V6 / 86°)

□

	V6 x 86° / (R 1.50 mm)
Height	60.00 mm
Width	11.00 mm
Pressure	800 kN/m
Material	42CrMo4
Hardness	60 - 65 HRC Through hardened AMANIT® coating
Installation	Plug-in system

	Length	Order number		Weight
Long	835 mm	ED0708151	6H 0708151	4.40 kg
Short	415 mm	ED0708152	6H 0708152	2.20 kg
Sectionalized	800 mm	ED0708153	6H 0708153	4.20 kg

1V Die - (V8 / 86°)

□

	V8 x 86° / (R 1.50 mm)
Height	60.00 mm
Width	12.00 mm
Pressure	900 kN/m
Material	42CrMo4
Hardness	60 - 65 HRC Through hardened AMANIT® coating
Installation	Plug-in system

	Length	Order number		Weight
Long	835 mm	ED0718151	6H 0718151	4.70 kg
Short	415 mm	ED0718152	6H 0718152	2.30 kg
Sectionalized	800 mm	ED0718153	6H 0718153	4.50 kg

1V Die - (V10 / 86°)

□

	V10 x 86° / (R 2.00 mm)
Height	60.00 mm
Width	13.50 mm
Pressure	1000 kN/m
Material	42CrMo4
Hardness	60 - 65 HRC Through hardened AMANIT® coating
Installation	Plug-in system

	Length	Order number		Weight
Long	835 mm	ED0728201	6H 0728201	5.20 kg
Short	415 mm	ED0728202	6H 0728202	2.60 kg
Sectionalized	800 mm	ED0728203	6H 0728203	4.90 kg

1V Die - (V12 / 86°)

□

	V12 x 86° / (R 2.50 mm)
Height	60.00 mm
Width	15.00 mm
Pressure	1000 kN/m
Material	42CrMo4
Hardness	60 - 65 HRC Through hardened AMANIT® coating
Installation	Plug-in system

	Length	Order number		Weight
Long	835 mm	ED0748251	6H 0748251	5.50 kg
Short	415 mm	ED0748252	6H 0748252	2.70 kg
Sectionalized	800 mm	ED0748253	6H 0748253	5.30 kg

1V Die - (V14 / 86°)

□

	V14 x 86° / (R 2.50 mm)
Height	60.00 mm
Width	17.00 mm
Pressure	1000 kN/m
Material	42CrMo4
Hardness	60 - 65 HRC Through hardened AMANIT® coating
Installation	Plug-in system

	Length	Order number		Weight
Long	835 mm	ED0768251	6H 0768251	6.00 kg
Short	415 mm	ED0768252	6H 0768252	3.00 kg
Sectionalized	800 mm	ED0768253	6H 0768253	5.80 kg

1V Die - (V16 / 86°)

□

	V16 x 86° / (R 2.50 mm)
Height	60.00 mm
Width	20.00 mm
Pressure	1000 kN/m
Material	42CrMo4
Hardness	60 - 65 HRC Through hardened AMANIT® coating
Installation	Plug-in system

	Length	Order number		Weight
Long	835 mm	ED0778251	6H 0778251	6.80 kg
Short	415 mm	ED0778252	6H 0778252	3.40 kg
Sectionalized	800 mm	ED0778253	6H 0778253	6.50 kg

1V Die - (V18 / 86°)

□

	V18 x 86° / (R 2.50 mm)
Height	60.00 mm
Width	22.00 mm
Pressure	1000 kN/m
Material	42CrMo4
Hardness	60 - 65 HRC Through hardened AMANIT® coating
Installation	Plug-in system

	Length	Order number		Weight
Long	835 mm	ED0788251	6H 0788251	7.30 kg
Short	415 mm	ED0788252	6H 0788252	3.60 kg
Sectionalized	800 mm	ED0788253	6H 0788253	7.00 kg

1V Die - (V20 / 86°)

□

	V20 x 86° / (R 3.00 mm)
Height	60.00 mm
Width	24.40 mm
Pressure	1000 kN/m
Material	42CrMo4
Hardness	60 - 65 HRC Through hardened AMANIT® coating
Installation	Plug-in system

	Length	Order number		Weight
Long	835 mm	ED0798301	6H 0798301	7.80 kg
Short	415 mm	ED0798302	6H 0798302	3.90 kg
Sectionalized	800 mm	ED0798303	6H 0798303	7.50 kg

1V Die - (V25 / 86°)

□

	V25 x 86° / (R 3.00 mm)
Height	60.00 mm
Width	29.60 mm
Pressure	1000 kN/m
Material	42CrMo4
Hardness	60 - 65 HRC Through hardened AMANIT® coating
Installation	Plug-in system

	Length	Order number		Weight
Long	835 mm	ED0828301	6H 0828301	9.00 kg
Short	415 mm	ED0828302	6H 0828302	4.50 kg
Sectionalized	800 mm	ED0828303	6H 0828303	8.60 kg

1V Die - (V4 / 86°)

□

	V4 x 86° / (R 1.00 mm)
Height	60.10 mm
Width	10.00 mm
Pressure	750 kN/m
Material	42CrMo4
Hardness	60 - 65 HRC Through hardened AMANIT® coating
Installation	Plug-in system

	Length	Order number		Weight
Long	835 mm	ED1848101	6H 1848101	4.30 kg
Short	415 mm	ED1848102	6H 1848102	2.20 kg
Sectionalized	800 mm	ED1848103	6H 1848103	4.10 kg

1V Die - (V6 / 86°)

□

	V6 x 86° / (R 1.50 mm)
Height	61.20 mm
Width	11.00 mm
Pressure	800 kN/m
Material	42CrMo4
Hardness	60 - 65 HRC Through hardened AMANIT® coating
Installation	Plug-in system

	Length	Order number		Weight
Long	835 mm	ED1708151	6H 1708151	4.60 kg
Short	415 mm	ED1708152	6H 1708152	2.30 kg
Sectionalized	800 mm	ED1708153	6H 1708153	4.40 kg

1V Die - (V8 / 86°)

□

	V8 x 86° / (R 1.50 mm)
Height	62.30 mm
Width	12.00 mm
Pressure	900 kN/m
Material	42CrMo4
Hardness	60 - 65 HRC Through hardened AMANIT® coating
Installation	Plug-in system

	Length	Order number		Weight
Long	835 mm	ED1718151	6H 1718151	4.90 kg
Short	415 mm	ED1718152	6H 1718152	2.50 kg
Sectionalized	800 mm	ED1718153	6H 1718153	4.70 kg

1V Die - (V10 / 86°)

□

	V10 x 86° / (R 2.00 mm)
Height	63.40 mm
Width	13.50 mm
Pressure	1000 kN/m
Material	42CrMo4
Hardness	60 - 65 HRC Through hardened AMANIT® coating
Installation	Plug-in system

	Length	Order number		Weight
Long	835 mm	ED1728201	6H 1728201	5.40 kg
Short	415 mm	ED1728202	6H 1728202	2.70 kg
Sectionalized	800 mm	ED1728203	6H 1728203	5.20 kg

1V Die - (V12 / 86°)

□

	V12 x 86° / (R 2.50 mm)
Height	64.40 mm
Width	15.00 mm
Pressure	1000 kN/m
Material	42CrMo4
Hardness	60 - 65 HRC Through hardened AMANIT® coating
Installation	Plug-in system

	Length	Order number		Weight
Long	835 mm	ED1748251	6H 1748251	5.80 kg
Short	415 mm	ED1748252	6H 1748252	2.90 kg
Sectionalized	800 mm	ED1748253	6H 1748253	5.60 kg

1V Die - (V16 / 86°)

□

	V16 x 86° / (R 2.50 mm)
Height	66.60 mm
Width	20.00 mm
Pressure	1000 kN/m
Material	42CrMo4
Hardness	60 - 65 HRC Through hardened AMANIT® coating
Installation	Plug-in system

	Length	Order number		Weight
Long	835 mm	ED1778251	6H 1778251	7.40 kg
Short	415 mm	ED1778252	6H 1778252	3.70 kg
Sectionalized	800 mm	ED1778253	6H 1778253	7.10 kg

1V Die - (V20 / 86°)

□

	V20 x 86° / (R 3.00 mm)
Height	68.70 mm
Width	24.40 mm
Pressure	1000 kN/m
Material	42CrMo4
Hardness	60 - 65 HRC Through hardened AMANIT® coating
Installation	Plug-in system

	Length	Order number		Weight
Long	835 mm	ED1798301	6H 1798301	8.90 kg
Short	415 mm	ED1798302	6H 1798302	4.40 kg
Sectionalized	800 mm	ED1798303	6H 1798303	8.50 kg

1V Die - (V25 / 86°)

□

	V25 x 86° / (R 3.00 mm)
Height	71.40 mm
Width	29.60 mm
Pressure	1000 kN/m
Material	42CrMo4
Hardness	60 - 65 HRC Through hardened AMANIT® coating
Installation	Plug-in system

	Length	Order number		Weight
Long	835 mm	ED1828301	6H 1828301	10.60 kg
Short	415 mm	ED1828302	6H 1828302	5.30 kg
Sectionalized	800 mm	ED1828303	6H 1828303	10.20 kg

1V Die - (V4 / 88°)

□

	V4 x 88° / (R 1.00 mm)
Height	60.00 mm
Width	10.00 mm
Pressure	750 kN/m
Material	42CrMo4
Hardness	60 - 65 HRC Through hardened AMANIT® coating
Installation	Plug-in system

	Length	Order number		Weight
Long	835 mm	ED0847101	6H 0847101	4.10 kg
Short	415 mm	ED0847102	6H 0847102	2.10 kg
Sectionalized	800 mm	ED0847103	6H 0847103	4.00 kg

1V Die - (V6 / 88°)

□

	V6 x 88° / (R 1.50 mm)
Height	60.00 mm
Width	11.00 mm
Pressure	800 kN/m
Material	42CrMo4
Hardness	60 - 65 HRC Through hardened AMANIT® coating
Installation	Plug-in system

	Length	Order number		Weight
Long	835 mm	ED0707151	6H 0707151	4.40 kg
Short	415 mm	ED0707152	6H 0707152	2.20 kg
Sectionalized	800 mm	ED0707153	6H 0707153	4.20 kg

1V Die - (V8 / 88°)

□

	V8 x 88° / (R 1.50 mm)
Height	60.00 mm
Width	12.00 mm
Pressure	900 kN/m
Material	42CrMo4
Hardness	60 - 65 HRC Through hardened AMANIT® coating
Installation	Plug-in system

	Length	Order number		Weight
Long	835 mm	ED0717151	6H 0717151	4.70 kg
Short	415 mm	ED0717152	6H 0717152	2.30 kg
Sectionalized	800 mm	ED0717153	6H 0717153	4.50 kg

1V Die - (V10 / 88°)

□

	V10 x 88° / (R 2.00 mm)
Height	60.00 mm
Width	13.50 mm
Pressure	1000 kN/m
Material	42CrMo4
Hardness	60 - 65 HRC Through hardened AMANIT® coating
Installation	Plug-in system

	Length	Order number		Weight
Long	835 mm	ED0727201	6H 0727201	5.20 kg
Short	415 mm	ED0727202	6H 0727202	2.60 kg
Sectionalized	800 mm	ED0727203	6H 0727203	4.90 kg

1V Die - (V12 / 88°)

□

	V12 x 88° / (R 2.50 mm)
Height	60.00 mm
Width	15.00 mm
Pressure	1000 kN/m
Material	42CrMo4
Hardness	60 - 65 HRC Through hardened AMANIT® coating
Installation	Plug-in system

	Length	Order number		Weight
Long	835 mm	ED0747251	6H 0747251	5.50 kg
Short	415 mm	ED0747252	6H 0747252	2.70 kg
Sectionalized	800 mm	ED0747253	6H 0747253	5.30 kg

1V Die - (V14 / 88°)

□

	V14 x 88° / (R 2.50 mm)
Height	60.00 mm
Width	17.00 mm
Pressure	1000 kN/m
Material	42CrMo4
Hardness	60 - 65 HRC Through hardened AMANIT® coating
Installation	Plug-in system

	Length	Order number		Weight
Long	835 mm	ED0767251	6H 0767251	6.00 kg
Short	415 mm	ED0767252	6H 0767252	3.00 kg
Sectionalized	800 mm	ED0767253	6H 0767253	5.80 kg

1V Die - (V16 / 88°)

□

	V16 x 88° / (R 2.50 mm)
Height	60.00 mm
Width	20.00 mm
Pressure	1000 kN/m
Material	42CrMo4
Hardness	60 - 65 HRC Through hardened AMANIT® coating
Installation	Plug-in system

	Length	Order number		Weight
Long	835 mm	ED0777251	6H 0777251	6.80 kg
Short	415 mm	ED0777252	6H 0777252	3.40 kg
Sectionalized	800 mm	ED0777253	6H 0777253	6.50 kg

1V Die - (V18 / 88°)

□

	V18 x 88° / (R 2.50 mm)
Height	60.00 mm
Width	22.00 mm
Pressure	1000 kN/m
Material	42CrMo4
Hardness	60 - 65 HRC Through hardened AMANIT® coating
Installation	Plug-in system

	Length	Order number		Weight
Long	835 mm	ED0787251	6H 0787251	7.30 kg
Short	415 mm	ED0787252	6H 0787252	3.60 kg
Sectionalized	800 mm	ED0787253	6H 0787253	7.00 kg

1V Die - (V20 / 88°)

□

	V20 x 88° / (R 3.00 mm)
Height	60.00 mm
Width	24.40 mm
Pressure	1000 kN/m
Material	42CrMo4
Hardness	60 - 65 HRC Through hardened AMANIT® coating
Installation	Plug-in system

	Length	Order number		Weight
Long	835 mm	ED0797301	6H 0797301	7.80 kg
Short	415 mm	ED0797302	6H 0797302	3.90 kg
Sectionalized	800 mm	ED0797303	6H 0797303	7.50 kg

1V Die - (V25 / 88°)

□

	V25 x 88° / (R 3.00 mm)
Height	60.00 mm
Width	29.60 mm
Pressure	1000 kN/m
Material	42CrMo4
Hardness	60 - 65 HRC Through hardened AMANIT® coating
Installation	Plug-in system

	Length	Order number		Weight
Long	835 mm	ED0827301	6H 0827301	9.00 kg
Short	415 mm	ED0827302	6H 0827302	4.50 kg
Sectionalized	800 mm	ED0827303	6H 0827303	8.60 kg

1V Die - (V4 / 90°)

□

	V4 x 90° / (R 1.00 mm)
Height	60.00 mm
Width	10.00 mm
Pressure	750 kN/m
Material	42CrMo4
Hardness	60 - 65 HRC Through hardened AMANIT® coating
Installation	Plug-in system

	Length	Order number		Weight
Long	835 mm	ED0849101	6H 0849101	4.10 kg
Short	415 mm	ED0849102	6H 0849102	2.10 kg
Sectionalized	800 mm	ED0849103	6H 0849103	4.00 kg

1V Die - (V6 / 90°)

□

	V6 x 90° / (R 1.50 mm)
Height	60.00 mm
Width	11.00 mm
Pressure	800 kN/m
Material	42CrMo4
Hardness	60 - 65 HRC Through hardened AMANIT® coating
Installation	Plug-in system

	Length	Order number		Weight
Long	835 mm	ED0709151	6H 0709151	4.40 kg
Short	415 mm	ED0709152	6H 0709152	2.20 kg
Sectionalized	800 mm	ED0709153	6H 0709153	4.20 kg

1V Die - (V8 / 90°)

□

	V8 x 90° / (R 1.50 mm)
Height	60.00 mm
Width	12.00 mm
Pressure	900 kN/m
Material	42CrMo4
Hardness	60 - 65 HRC Through hardened AMANIT® coating
Installation	Plug-in system

	Length	Order number		Weight
Long	835 mm	ED0719151	6H 0719151	4.70 kg
Short	415 mm	ED0719152	6H 0719152	2.30 kg
Sectionalized	800 mm	ED0719153	6H 0719153	4.50 kg

1V Die - (V10 / 90°)

□

	V10 x 90° / (R 2.00 mm)
Height	60.00 mm
Width	13.50 mm
Pressure	1000 kN/m
Material	42CrMo4
Hardness	60 - 65 HRC Through hardened AMANIT® coating
Installation	Plug-in system

	Length	Order number		Weight
Long	835 mm	ED0729201	6H 0729201	5.20 kg
Short	415 mm	ED0729202	6H 0729202	2.60 kg
Sectionalized	800 mm	ED0729203	6H 0729203	4.90 kg

1V Die - (V12 / 90°)

□

	V12 x 90° / (R 2.50 mm)
Height	60.00 mm
Width	15.00 mm
Pressure	1000 kN/m
Material	42CrMo4
Hardness	60 - 65 HRC Through hardened AMANIT® coating
Installation	Plug-in system

	Length	Order number		Weight
Long	835 mm	ED0749251	6H 0749251	5.50 kg
Short	415 mm	ED0749252	6H 0749252	2.70 kg
Sectionalized	800 mm	ED0749253	6H 0749253	5.30 kg

2V Die - (V6 x V10 / 30°)

□

V1	V6 x 30° / (R 1.50 mm)
V2	V10 x 30° / (R 2.00 mm)
Height	46.00 mm
Width	50.00 mm
Pressure	260 kN/m
Material	42CrMo4
Hardness	60 - 65 HRC Through hardened AMANIT® coating
Installation	Plug-in system

	Length	Order number		Weight
Long	835 mm	ED3373151	6H3373151	15.50 kg
Short	415 mm	ED3373152	6H3373152	6.70 kg
Sectionalized	800 mm	ED3373153	6H3373153	12.90 kg

2V Die - (V8 x V12 / 30°)

□

V1	V8 x 30° / (R 1.00 mm)
V2	V12 x 30° / (R 1.00 mm)
Height	38.00 mm
Width	60.00 mm
Pressure	400 kN/m
Material	42CrMo4
Hardness	60 - 65 HRC Through hardened AMANIT® coating
Installation	Plug-in system

	Length	Order number		Weight
Long	835 mm	ED3393101	6H3393101	12.90 kg
Short	415 mm	ED3393102	6H3393102	6.40 kg
Sectionalized	800 mm	ED3393103	6H3393103	12.40 kg

2V Die - (V6 x V10 / 60°)

□

V1	V6 x 60° / (R 0.60 mm)
V2	V10 x 60° / (R 1.00 mm)
Height	46.00 mm
Width	41.00 mm
Pressure	600 kN/m
Material	42CrMo4
Hardness	60 - 65 HRC Through hardened AMANIT® coating
Installation	Plug-in system

	Length	Order number		Weight
Long	835 mm	ED5026061	6H5026061	11.30 kg
Short	415 mm	ED5026062	6H5026062	5.60 kg
Sectionalized	800 mm	ED5026063	6H5026063	10.80 kg

2V Die - (V8 x V12 / 60°)

□

V1	V8 x 60° / (R 0.80 mm)
V2	V12 x 60° / (R 1.20 mm)
Height	46.00 mm
Width	43.00 mm
Pressure	600 kN/m
Material	42CrMo4
Hardness	60 - 65 HRC Through hardened AMANIT® coating
Installation	Plug-in system

	Length	Order number		Weight
Long	835 mm	ED5036081	6H5036081	11.70 kg
Short	415 mm	ED5036082	6H5036082	5.80 kg
Sectionalized	800 mm	ED5036083	6H5036083	11.20 kg

2V Die - (V16 x V25 / 60°)

□

V1	V16 x 60° / (R 1.60 mm)
V2	V25 x 60° / (R 2.00 mm)
Height	46.00 mm
Width	55.00 mm
Pressure	600 kN/m
Material	42CrMo4
Hardness	60 - 65 HRC Through hardened AMANIT® coating
Installation	Plug-in system

	Length	Order number		Weight
Long	835 mm	ED5066161	6H5066161	13.40 kg
Short	415 mm	ED5066162	6H5066162	6.70 kg
Sectionalized	800 mm	ED5066163	6H5066163	12.80 kg

2V Die - (V4 x V7 / 88°)

□

V1	V4 x 88° / (R 0.40 mm)
V2	V7 x 88° / (R 0.00 mm)
Height	45.50 mm
Width	34.50 mm
Pressure	600 kN/m
Material	42CrMo4
Hardness	60 - 65 HRC Through hardened AMANIT® coating
Installation	Plug-in system

	Length	Order number		Weight
Long	835 mm	ED5017041	6H5017041	9.50 kg
Short	415 mm	ED5017042	6H5017042	4.70 kg
Sectionalized	800 mm	ED5017043	6H5017043	9.10 kg

2V Die - (V5 x V9 / 88°)

□

V1	V5 x 88° / (R 0.40 mm)
V2	V9 x 88° / (R 0.00 mm)
Height	45.50 mm
Width	36.00 mm
Pressure	650 kN/m
Material	42CrMo4
Hardness	60 - 65 HRC Through hardened AMANIT® coating
Installation	Plug-in system

	Length	Order number		Weight
Long	835 mm	ED5077041	6H5077041	9.90 kg
Short	415 mm	ED5077042	6H5077042	4.90 kg
Sectionalized	800 mm	ED5077043	6H5077043	9.50 kg

2V Die - (V6 x V10 / 88°)

□

V1	V6 x 88° / (R 0.40 mm)
V2	V10 x 88° / (R 0.00 mm)
Height	45.50 mm
Width	37.00 mm
Pressure	700 kN/m
Material	42CrMo4
Hardness	60 - 65 HRC Through hardened AMANIT® coating
Installation	Plug-in system

	Length	Order number		Weight
Long	835 mm	ED5027041	6H5027041	10.20 kg
Short	415 mm	ED5027042	6H 5027042	5.10 kg
Sectionalized	800 mm	ED5027043	6H5027043	9.80 kg

2V Die - (V8 x V12 / 88°)

□

V1	V8 x 88° / (R 0.50 mm)
V2	V12 x 88° / (R 0.00 mm)
Height	45.50 mm
Width	39.00 mm
Pressure	700 kN/m
Material	42CrMo4
Hardness	60 - 65 HRC Through hardened AMANIT® coating
Installation	Plug-in system

	Length	Order number		Weight
Long	835 mm	ED5037051	6H5037051	10.60 kg
Short	415 mm	ED5037052	6H5037052	5.30 kg
Sectionalized	800 mm	ED5037053	6H5037053	10.20 kg

2V Die - (V12 x V20 / 88°)

□

V1	V12 x 88° / (R 0.50 mm)
V2	V20 x 88° / (R 0.00 mm)
Height	46.00 mm
Width	45.50 mm
Pressure	1000 kN/m
Material	42CrMo4
Hardness	60 - 65 HRC Through hardened AMANIT® coating
Installation	Plug-in system

	Length	Order number		Weight
Long	835 mm	ED5057051	6H5057051	12.10 kg
Short	415 mm	ED5057052	6H5057052	6.00 kg
Sectionalized	800 mm	ED5057053	6H5057053	11.60 kg

2V Die - (V14 x V18 / 88°)

□

V1	V14 x 88° / (R 0.50 mm)
V2	V18 x 88° / (R 0.00 mm)
Height	46.00 mm
Width	45.00 mm
Pressure	1000 kN/m
Material	42CrMo4
Hardness	60 - 65 HRC Through hardened AMANIT® coating
Installation	Plug-in system

	Length	Order number		Weight
Long	835 mm	ED5047051	6H5047051	12.00 kg
Short	415 mm	ED5047052	6H5047052	6.00 kg
Sectionalized	800 mm	ED5047053	6H5047053	11.50 kg

2V Die - (V16 x V25 / 88°)

□

V1	V16 x 88° / (R 0.80 mm)
V2	V25 x 88° / (R 0.00 mm)
Height	46.00 mm
Width	50.00 mm
Pressure	1000 kN/m
Material	42CrMo4
Hardness	60 - 65 HRC Through hardened AMANIT® coating
Installation	Plug-in system

	Length	Order number		Weight
Long	835 mm	ED5067081	6H5067081	12.90 kg
Short	415 mm	ED5067082	6H5067082	6.40 kg
Sectionalized	800 mm	ED5067083	6H5067083	12.40 kg

2V Die - (V4 x V7 / 90°)

□

V1	V4 x 90° / (R 0.40 mm)
V2	V7 x 90° / (R 0.00 mm)
Height	46.00 mm
Width	34.50 mm
Pressure	600 kN/m
Material	42CrMo4
Hardness	60 - 65 HRC Through hardened AMANIT® coating
Installation	Plug-in system

	Length	Order number		Weight
Long	835 mm	ED5019041	6H5019041	9.60 kg
Short	415 mm	ED5019042	6H5019042	4.80 kg
Sectionalized	800 mm	ED5019043	6H5019043	9.20 kg

2V Die - (V5 x V9 / 90°)

□

V1	V5 x 90° / (R 0.40 mm)
V2	V9 x 90° / (R 0.00 mm)
Height	46.00 mm
Width	36.00 mm
Pressure	650 kN/m
Material	42CrMo4
Hardness	60 - 65 HRC Through hardened AMANIT® coating
Installation	Plug-in system

	Length	Order number		Weight
Long	835 mm	ED5079041	6H5079041	10.00 kg
Short	415 mm	ED5079042	6H5079042	5.00 kg
Sectionalized	800 mm	ED5079043	6H5079043	9.60 kg

2V Die - (V6 x V10 / 90°)

□

V1	V6 x 90° / (R 0.40 mm)
V2	V10 x 90° / (R 0.00 mm)
Height	46.00 mm
Width	37.00 mm
Pressure	700 kN/m
Material	42CrMo4
Hardness	60 - 65 HRC Through hardened AMANIT® coating
Installation	Plug-in system

	Length	Order number		Weight
Long	835 mm	ED5029041	6H5029041	10.30 kg
Short	415 mm	ED5029042	6H5029042	5.10 kg
Sectionalized	800 mm	ED5029043	6H5029043	9.90 kg

2V Die - (V8 x V12 / 90°)

□

V1	V8 x 90° / (R 0.50 mm)
V2	V12 x 90° / (R 0.00 mm)
Height	46.00 mm
Width	39.00 mm
Pressure	700 kN/m
Material	42CrMo4
Hardness	60 - 65 HRC Through hardened AMANIT® coating
Installation	Plug-in system

	Length	Order number		Weight
Long	835 mm	ED5039051	6H5039051	10.70 kg
Short	415 mm	ED5039052	6H5039052	5.30 kg
Sectionalized	800 mm	ED5039053	6H5039053	10.30 kg

1V Die - (V18 / 30°)

□

	V18 x 30° / (R 3.00 mm)
Height	60.00 mm
Width	60.00 mm
Pressure	1000 kN/m
Material	42CrMo4
Hardness	60 - 65 HRC Through hardened untreated
Installation	Clamping system

	Length	Order number		Weight
Long	835 mm	ED3403301	6H3403301	21.40 kg
Short	415 mm	ED3403302	6H3403302	10.60 kg
Sectionalized	800 mm	ED3403303	6H3403303	20.50 kg

1V Die - (V25 / 30°)

□

	V25 x 30° / (R 4.00 mm)
Height	65.00 mm
Width	60.00 mm
Pressure	1000 kN/m
Material	42CrMo4
Hardness	60 - 65 HRC Through hardened untreated
Installation	Clamping system

	Length	Order number		Weight
Long	835 mm	ED3413401	6H3413401	21.70 kg
Short	415 mm	ED3413402	6H3413402	10.80 kg
Sectionalized	800 mm	ED3413403	6H3413403	20.80 kg

1V Die - (V32 / 45°)

□

	V32 x 45° / (R 5.00 mm)
Height	60.00 mm
Width	60.00 mm
Pressure	1000 kN/m
Material	42CrMo4
Hardness	60 - 65 HRC Through hardened AMANIT® coating
Installation	Clamping system

	Length	Order number		Weight
Long	835 mm	ED3421501	6H3421501	19.30 kg
Short	415 mm	ED3421502	6H3421502	9.60 kg
Sectionalized	800 mm	ED3421503	6H3421503	18.50 kg

1V Die - (V40 / 45°)

□

	V40 x 45° / (R 5.00 mm)
Height	80.00 mm
Width	80.00 mm
Pressure	700 kN/m
Material	C45
Hardness	52 - 56 HRC Induction hardened untreated
Installation	Clamping system

	Length	Order number		Weight
Long	835 mm	ED3431501	6H3431501	33.30 kg
Short	415 mm	ED3431502	6H3431502	16.60 kg
Sectionalized	800 mm	ED3431503	6H3431503	31.90 kg

1V Die - (V63 / 60°)

□

	V63 x 60° / (R 5.00 mm)
Height	85.00 mm
Width	80.00 mm
Pressure	1000 kN/m
Material	C45
Hardness	52 - 56 HRC Induction hardened
Installation	Clamping system

	Length	Order number		Weight
Long	835 mm	ED0386501	6H0386501	32.40 kg
Short	415 mm	ED0386502	6H0386502	16.20 kg

1V Die - (V80 / 60°)

□

	V80 x 60° / (R 6.00 mm)
Height	100.00 mm
Width	100.00 mm
Pressure	1000 kN/m
Material	C45
Hardness	52 - 56 HRC Induction hardened
Installation	Clamping system

	Length	Order number		Weight
Long	835 mm	ED0136601	6H0136601	41.90 kg
Short	415 mm	ED0136602	6H0136602	21.90 kg

1V Die - (V32 / 85°)

□

	V32 x 85° / (R 2.00 mm)
Height	60.00 mm
Width	60.00 mm
Pressure	1000 kN/m
Material	42CrMo4
Hardness	60 - 65 HRC Through hardened AMANIT® coating
Installation	Clamping system

	Length	Order number		Weight
Long	835 mm	ED0355401	6H0355401	21.50 kg
Short	415 mm	ED0355402	6H0355402	10.70 kg
Sectionalized	800 mm	ED0355403	6H0355403	20.60 kg

1V Die - (V40 / 85°)

□

	V40 x 85° / (R 2.50 mm)
Height	60.00 mm
Width	60.00 mm
Pressure	1000 kN/m
Material	42CrMo4
Hardness	60 - 65 HRC Through hardened AMANIT® coating
Installation	Clamping system

	Length	Order number		Weight
Long	835 mm	ED0365401	6H0365401	20.40 kg
Short	415 mm	ED0365402	6H0365402	10.10 kg
Sectionalized	800 mm	ED0365403	6H0365403	19.50 kg

1V Die - (V50 / 85°)

□

	V50 x 85° / (R 4.00 mm)
Height	60.00 mm
Width	60.00 mm
Pressure	1000 kN/m
Material	42CrMo4
Hardness	60 - 65 HRC Through hardened AMANIT® coating
Installation	Clamping system

	Length	Order number		Weight
Long	835 mm	ED0375401	6H0375401	18.70 kg
Short	415 mm	ED0375402	6H0375402	9.30 kg
Sectionalized	800 mm	ED0375403	6H0375403	17.90 kg

1V Die - (V63 / 85°)

□

	V63 x 85° / (R 5.00 mm)
Height	75.00 mm
Width	80.00 mm
Pressure	1000 kN/m
Material	C45
Hardness	52 - 56 HRC Induction hardened
Installation	Clamping system

	Length	Order number		Weight
Long	835 mm	ED0385501	6H0385501	28.80 kg
Short	415 mm	ED0385502	6H0385502	14.40 kg
Sectionalized	800 mm	ED0385503	6H0385503	27.60 kg

1V Die - (V80 / 85°)

□

	V80 x 85° / (R 6.00 mm)
Height	80.00 mm
Width	95.00 mm
Pressure	1000 kN/m
Material	C45
Hardness	52 - 56 HRC Induction hardened
Installation	Clamping system

	Length	Order number		Weight
Long	835 mm	ED0135601	6H0135601	36.10 kg
Short	415 mm	ED0135602	6H0135602	18.00 kg

1V Die - (V100 / 80°)

□

	V100 x 80° / (R 7.00 mm)
Height	95.00 mm
Width	115.00 mm
Pressure	1000 kN/m
Material	C45
Hardness	52 - 56 HRC Induction hardened
Installation	Clamping system

	Length	Order number		Weight
Long	835 mm	ED0180701	6H0180701	46.20 kg
Short	415 mm	ED0180702	6H0180702	23.10 kg

1V Die - (V125 / 80°)

□

	V125 x 80° / (R 15.00 mm)
Height	103.00 mm
Width	154.00 mm
Pressure	1000 kN/m
Material	C45
Hardness	52 - 56 HRC Induction hardened
Installation	Clamping system

	Length	Order number		Weight
Long	835 mm	ED0390151	6H 0390151	72.80 kg
Short	415 mm	ED0390152	6H0390152	36.40 kg

1V Die - (V160 / 80°)

□

	V160 x 80° / (R 11.00 mm)
Height	130.00 mm
Width	185.00 mm
Pressure	1000 kN/m
Material	C45
Hardness	52 - 56 HRC Induction hardened
Installation	Clamping system

	Length	Order number		Weight
Long	835 mm	ED0140111	6H0140111	102.80 kg
Short	415 mm	ED0140112	6H0140112	51.40 kg

3U Die - (V6 / 90°)

□

U1	V6 x 90° / (R 0.50 mm)
U2	V10 x 90° / (R 1.00 mm)
U3	V18 x 90° / (R 1.50 mm)
Height	60.00 mm
Width	60.00 mm
Pressure	1000 kN/m
Material	C45
Hardness	23 - 27 HRC Through hardened
Installation	Clamping system

	Length	Order number		Weight
Long	835 mm	ED0129001	6H0129001	20.20 kg
Short	415 mm	ED0129002	6H0129002	10.10 kg

4V Die - (V10 x V16 x V22 x V35 / 60°)

□

V1	V10 x 60° / (R 1.50 mm)
V2	V16 x 60° / (R 2.00 mm)
V3	V22 x 60° / (R 2.50 mm)
V4	V35 x 60° / (R 3.00 mm)
Height	60.00 mm
Width	60.00 mm
Pressure	900 kN/m
Material	C45
Hardness	52 - 56 HRC Induction hardened
Installation	Clamping system

	Length	Order number		Weight
Long	835 mm	ED1296001	6H1296001	16.40 kg
Short	415 mm	ED1296002	6H1296002	8.20 kg

4V Die - (V16 x V22 x V35 x V50 / 88°)

□

V1	V16 x 88° / (R 0.50 mm)
V2	V22 x 88° / (R 0.50 mm)
V3	V35 x 85° / (R 2.00 mm)
V4	V50 x 85° / (R 2.00 mm)
Height	60.00 mm
Width	60.00 mm
Pressure	1000 kN/m
Material	C45
Hardness	52 - 56 HRC Induction hardened
Installation	Clamping system

	Length	Order number		Weight
Long	835 mm	ED1290001	6H1290001	18.00 kg
Short	415 mm	ED1290002	6H1290002	9.00 kg

Hemming tool - (V0 / 0°)

□

Type	
Height	60.00 mm
Pressure	1000 kN/m
Material	42CrMo4
Hardness	60 - 65 HRC Through hardened AMANIT® coating

	Length	Order number		Weight
Long	835 mm	ED1600001	6H 1600001	8.00 kg
Short	415 mm	ED1600002	6H 1600002	4.00 kg
Sectionalized	800 mm	ED1600003	6H 1600003	7.70 kg

Hemming tool - V10 (26°)

□

Type	
Height	135.00 mm
Pressure	1000 kN/m
Material	C45
Hardness	52 - 56 HRC Induction hardened untreated

	Length	Order number		Weight
Long	835 mm	ED1102151	6H1102151	42.00 kg
Short	415 mm	ED1102152	6H1102152	20.90 kg

Hemming tool - V12 - (26°)

□

Type	
Height	135.00 mm
Pressure	1000 kN/m
Material	C45
Hardness	52 - 56 HRC Induction hardened untreated

	Length	Order number		Weight
Long	835 mm	ED1122201	6H1122201	41.80 kg
Short	415 mm	ED1122202	6H1122202	20.80 kg

Hemming tool - V6 - (30°)

□

Type	
Height	117.00 mm
Pressure	650 kN/m
Material	42CrMo4
Hardness	60 - 65 HRC Through hardened AMANIT® coating

	Length	Order number		Weight
Long	835 mm	ED1063101	6H1063101	40.40 kg
Short	415 mm	ED1063102	6H1063102	20.10 kg

Hemming tool - (V6 / 30°)

□

Type	Replacement part
Height	23.00 mm
Pressure	650 kN/m
Material	42CrMo4
Hardness	60 - 65 HRC Through hardened AMANIT® coating

	Length	Order number		Weight
Long	835 mm	ED0063101	6H0063101	6.70 kg
Short	415 mm	ED0063102	6H0063102	3.30 kg

Hemming tool - V8 - (30°)

□

Type	
Height	117.00 mm
Pressure	650 kN/m
Material	42CrMo4
Hardness	60 - 65 HRC Through hardened AMANIT® coating

	Length	Order number		Weight
Long	835 mm	ED1083101	6H1083101	40.20 kg
Short	415 mm	ED1083102	6H1083102	20.00 kg

Hemming tool - (V8 / 30°)

□

Type	Replacement part
Height	23.00 mm
Pressure	650 kN/m
Material	42CrMo4
Hardness	60 - 65 HRC Through hardened AMANIT® coating

	Length	Order number		Weight
Long	835 mm	ED0083101	6H0083101	6.50 kg
Short	415 mm	ED0083102	6H0083102	3.20 kg

Polyurethane pad - 25

Height	25.00 mm
Width	25.00 mm
Material	Polyurethan

80.00 Shore (Red)

	Length	Order number		Weight
Long	835 mm	DX061111	6H061111	1.00 kg
Short	415 mm	DX061112	6H061112	0.50 kg

90.00 Shore (Blue)

	Length	Order number		Weight
Long	835 mm	DX061121	6H061121	1.00 kg
Short	415 mm	DX061122	6H061122	0.50 kg

Pad holder - 25

Height	37.00 mm
Width	25.00 mm
Pressure	1000 kN/m
Material	C45
Hardness	23 - 28 HRC not hardened untreated

	Length	Order number		Weight
Long	835 mm	DX060011	6H060011	21.00 kg
Short	415 mm	DX060012	6H060012	10.50 kg

Polyurethane pad - 30

Height	25.00 mm
Width	30.00 mm
Material	Polyurethan

80.00 Shore (Red)

	Length	Order number		Weight
Long	835 mm	DX061211	6H061211	1.00 kg
Short	415 mm	DX061212	6H061212	0.50 kg

90.00 Shore (Blue)

	Length	Order number		Weight
Long	835 mm	DX061221	6H061221	1.00 kg
Short	415 mm	DX061222	6H061222	0.50 kg

Pad holder - 30

Height	20.00 mm
Width	30.00 mm
Pressure	1000 kN/m
Material	C45
Hardness	23 - 28 HRC not hardened untreated

	Length	Order number		Weight
Long	835 mm	DX060021	6H060021	15.00 kg
Short	415 mm	DX060022	6H060022	7.50 kg

Polyurethane pad - 50

Height	50.00 mm
Width	50.00 mm
Material	Polyurethan

80.00 Shore (Red)

	Length	Order number		Weight
Long	835 mm	DX061311	6H061311	3.00 kg
Short	415 mm	DX061312	6H061312	1.50 kg

90.00 Shore (Blue)

	Length	Order number		Weight
Long	835 mm	DX061321	6H061321	3.00 kg
Short	415 mm	DX061322	6H061322	1.50 kg

Pad holder - 50

Height	52.00 mm
Width	50.00 mm
Pressure	1000 kN/m
Material	C45
Hardness	23 - 28 HRC not hardened untreated

	Length	Order number		Weight
Long	835 mm	DX060031	6H060031	45.00 kg
Short	415 mm	DX060032	6H060032	22.50 kg

Polyurethane pad - 80

Height	30.00 mm
Width	80.00 mm
Material	Polyurethan

80.00 Shore (Red)

	Length	Order number		Weight
Long	835 mm	DX061411	6H061411	3.00 kg
Short	415 mm	DX061412	6H061412	1.50 kg

90.00 Shore (Blue)

	Length	Order number		Weight
Long	835 mm	DX061421	6H061421	3.00 kg
Short	415 mm	DX061422	6H061422	1.50 kg

Pad holder - 80

Height	55.00 mm
Width	80.00 mm
Pressure	1000 kN/m
Material	C45
Hardness	23 - 28 HRC not hardened untreated

	Length	Order number		Weight
Long	835 mm	DX060041	6H060041	55.00 kg
Short	415 mm	DX060042	6H060042	27.50 kg

Polyurethane pad - 110

□

Height	45.00 mm
Width	110.00 mm
Material	Polyurethan

80.00 Shore (Red)

	Length	Order number		Weight
Long	835 mm	DX061511	6H061511	5.00 kg
Short	415 mm	DX061512	6H061512	2.50 kg

90.00 Shore (Blue)

	Length	Order number		Weight
Long	835 mm	DX061521	6H061521	5.00 kg
Short	415 mm	DX061522	6H061522	2.50 kg

Pad holder - 110

□

Height	65.00 mm
Width	110.00 mm
Pressure	1000 kN/m
Material	C45
Hardness	23 - 28 HRC not hardened untreated

	Length	Order number		Weight
Long	835 mm	DX060051	6H060051	62.00 kg
Short	415 mm	DX060052	6H060052	31.00 kg

1V Die

□

Height	30.00 mm
Width	14.00 mm
Pressure	1000 kN/m
Material	C45
Hardness	23 - 28 HRC
Installation	Plug-in system

	Length	Order number		Weight
Long	834 mm	EH3300011	6H3300011	2.50 kg
Short	414 mm	EH3300012	6H3300012	1.20 kg

Polyurethan die - (V4 / 90°)

□

	V4 x 90° / (R 1.00 mm)
Height	35.00 mm
Width	16.00 mm
Pressure	320 kN/m
Material	Polyurethan
Hardness	0 - 0 HRC untreated
Installation	Screwing system

	Length	Order number		Weight
Long	835 mm	DX331001	6H331001	1.20 kg
Short	415 mm	DX331002	6H331002	0.60 kg

Polyurethan die - (V6 / 90°)

□

	V6 x 90° / (R 1.50 mm)
Height	35.00 mm
Width	18.00 mm
Pressure	320 kN/m
Material	Polyurethan
Hardness	0 - 0 HRC untreated
Installation	Screwing system

	Length	Order number		Weight
Long	835 mm	DX332001	6H332001	1.40 kg
Short	415 mm	DX332002	6H332002	0.70 kg

Polyurethan die - (V8 / 88°)

□

	V8 x 88° / (R 2.00 mm)
Height	35.00 mm
Width	18.00 mm
Pressure	320 kN/m
Material	Polyurethan
Hardness	0 - 0 HRC untreated
Installation	Screwing system

	Length	Order number		Weight
Long	835 mm	DX333001	6H333001	1.40 kg
Short	415 mm	DX333002	6H333002	0.70 kg

Polyurethan die - (V10 / 88°)

	V10 x 88° / (R 2.50 mm)
Height	35.00 mm
Width	20.00 mm
Pressure	320 kN/m
Material	Polyurethan
Hardness	0 - 0 HRC untreated
Installation	Screwing system

	Length	Order number		Weight
Long	835 mm	DX334001	6H334001	1.60 kg
Short	415 mm	DX334002	6H334002	0.80 kg

Polyurethan die - (V12 / 88°)

	V12 x 88° / (R 3.00 mm)
Height	35.00 mm
Width	24.00 mm
Pressure	320 kN/m
Material	Polyurethan
Hardness	0 - 0 HRC untreated
Installation	Screwing system

	Length	Order number		Weight
Long	835 mm	DX335001	6H335001	2.00 kg
Short	415 mm	DX335002	6H335002	1.00 kg

Polyurethan die - (V32 / 70°)

	V32 x 70° / (R 6.00 mm)
Height	60.00 mm
Width	60.00 mm
Pressure	500 kN/m
Material	Polyurethan
Hardness	0 - 0 HRC untreated
Installation	Clamping system

	Length	Order number		Weight
Long	835 mm	DX351001	6H351001	8.40 kg
Short	415 mm	DX351002	6H351002	4.20 kg

Polyurethan die - (V40 / 70°)

	V40 x 70° / (R 7.00 mm)
Height	70.00 mm
Width	70.00 mm
Pressure	500 kN/m
Material	Polyurethan
Hardness	0 - 0 HRC untreated
Installation	Clamping system

	Length	Order number		Weight
Long	835 mm	DX361001	6H361001	9.20 kg
Short	415 mm	DX361002	6H361002	4.60 kg

Polyurethan die - (V50 / 70°)

□

	V50 x 70° / (R 8.00 mm)
Height	75.00 mm
Width	75.00 mm
Pressure	500 kN/m
Material	Polyurethan
Hardness	0 - 0 HRC untreated
Installation	Clamping system

	Length	Order number		Weight
Long	835 mm	DX371001	6H371001	9.50 kg
Short	415 mm	DX371002	6H371002	4.70 kg

Die holder - 8150

Height	51.50 mm
Width	27.00 mm
Pressure	1000 kN/m
Material	C45
Hardness	23 - 28 HRC
Installation	Plug-in system

	Length	Order number		Weight
Long	840 mm	EH0815001	6H0815001	12.40 kg
Short	420 mm	EH0815002	6H0815002	6.20 kg

Die holder - FEAT 8250

Height	51.50 mm
Width	0.00 mm
Pressure	1000 kN/m
Material	
Hardness	0 - 28 HRC
Installation	Plug-in system

	Length	Order number		Weight
Long	850 mm	DX082501	6H082501	13.50 kg
Short	510 mm	DX082502	6H082502	8.00 kg

Die holder - 534

Height	90.00 mm
Width	27.00 mm
Pressure	1000 kN/m
Material	C45
Hardness	23 - 28 HRC
Installation	Plug-in system

	Length	Order number		Weight
Long	1050 mm	EH5340001	6H 5340001	21.30 kg
Short	450 mm	EH5340002	6H 5340002	9.20 kg

Die holder - 534001

Height	15.00 mm
Width	60.00 mm
Pressure	1000 kN/m
Material	C45
Hardness	23 - 28 HRC
Installation	Plug-in system

	Length	Order number		Weight
Long	1050 mm	EH5340011	6H5340011	7.40 kg
Short	450 mm	EH5340012	6H5340012	3.20 kg

Die holder - 533

Height	60.00 mm
Width	60.00 mm
Pressure	1000 kN/m
Material	C45
Hardness	23 - 28 HRC
Installation	Plug-in system

	Length	Order number		Weight
Long	1050 mm	EH5330001	6H5330001	34.20 kg
Short	450 mm	EH5330002	6H5330002	14.60 kg

Die holder - 50

□

Height	50.00 mm
Width	60.00 mm
Pressure	0 kN/m
Material	C45
Hardness	23 - 28 HRC
Installation	Clamping system

	Length	Order number		Weight
Long	835 mm	EH0500001	6H0500001	26.00 kg
Short	415 mm	EH0500002	6H0500002	13.00 kg

Die holder - 55

□

Height	55.00 mm
Width	60.00 mm
Pressure	1000 kN/m
Material	C45
Hardness	23 - 28 HRC
Installation	Clamping system

	Length	Order number		Weight
Long	835 mm	EH0550001	6H0550001	28.00 kg
Short	415 mm	EH0550002	6H0550002	14.00 kg

Die holder - 300

□

Height	10.00 mm
Width	50.00 mm
Pressure	1000 kN/m
Material	C45
Hardness	23 - 28 HRC
Installation	Central

	Length	Order number		Weight
Long	835 mm	EH3000001	6H3000001	3.80 kg
Short	415 mm	EH3000002	6H3000002	1.90 kg

Die holder - MH39

□

Height	39.00 mm
Width	60.00 mm
Pressure	1000 kN/m
Material	C45
Hardness	23 - 28 HRC
Installation	

	Length	Order number		Weight
Long	830 mm	EH2900001	6H2900001	10.80 kg
Short	412 mm	EH2900002	6H2900002	5.40 kg

Die holder - MH45

□

Height	45.00 mm
Width	60.00 mm
Pressure	0 kN/m
Material	C45
Hardness	23 - 28 HRC
Installation	

	Length	Order number		Weight
Long	830 mm	EH2930001	6H2930001	13.80 kg
Short	412 mm	EH2930002	6H2930002	6.90 kg

Die holder - MH75

□

Height	75.00 mm
Width	60.00 mm
Pressure	1000 kN/m
Material	C45
Hardness	23 - 28 HRC
Installation	

	Length	Order number		Weight
Long	830 mm	EH2910001	6H2910001	17.60 kg
Short	412 mm	EH2910002	6H2910002	8.80 kg

Air bending force chart

Mild steel

Die opening V	4	6	7	8	10	12	14	16	18	20	25	32	40	50	63	80	100	125	160	200	
Minimum flange length b_{min}	2.8	4	5	5.5	7	8.5	10	11	13.5	14	17.5	22	28	35	45	55	71	89	113		
Bending radius ir	0.7	1.0	1.1	1.3	1.6	2.0	2.3	2.6	3.0	3.3	4.0	5.0	6.5	8.0	10	13	16	20	26		
Thickness (t) →	0.5 mm	40	30																		
	0.6 mm	60	40	40	40																
	0.8 mm		70	70	50	40															
	1.0 mm		110	100	80	70															
	1.2 mm			140	120	100	80	70	60												
	1.5 mm				170	150	130	110	90	80											
	2.0 mm						220	190	170	150	130	110									
	2.5 mm								280	250	220	180	140								
	3.0 mm									340	300	240	190	150							
	3.5 mm											330	260	200	160	130					
	4.0 mm											430	340	270	210	170					
	4.5 mm												440	340	270	210					
	5.0 mm												520	420	330	260	210				
	6.0 mm												750	600	480	380	300	240			
	7.0 mm														520	410	330	260			
	8.0 mm														850	680	530	430			
9.0 mm															670	540	430				
10 mm															850	670	530	420			
12 mm																960	780	600	550		
15 mm																		950	750		

Air bending force chart for mild steel ($R_m \approx 450 \text{ N/mm}^2$)

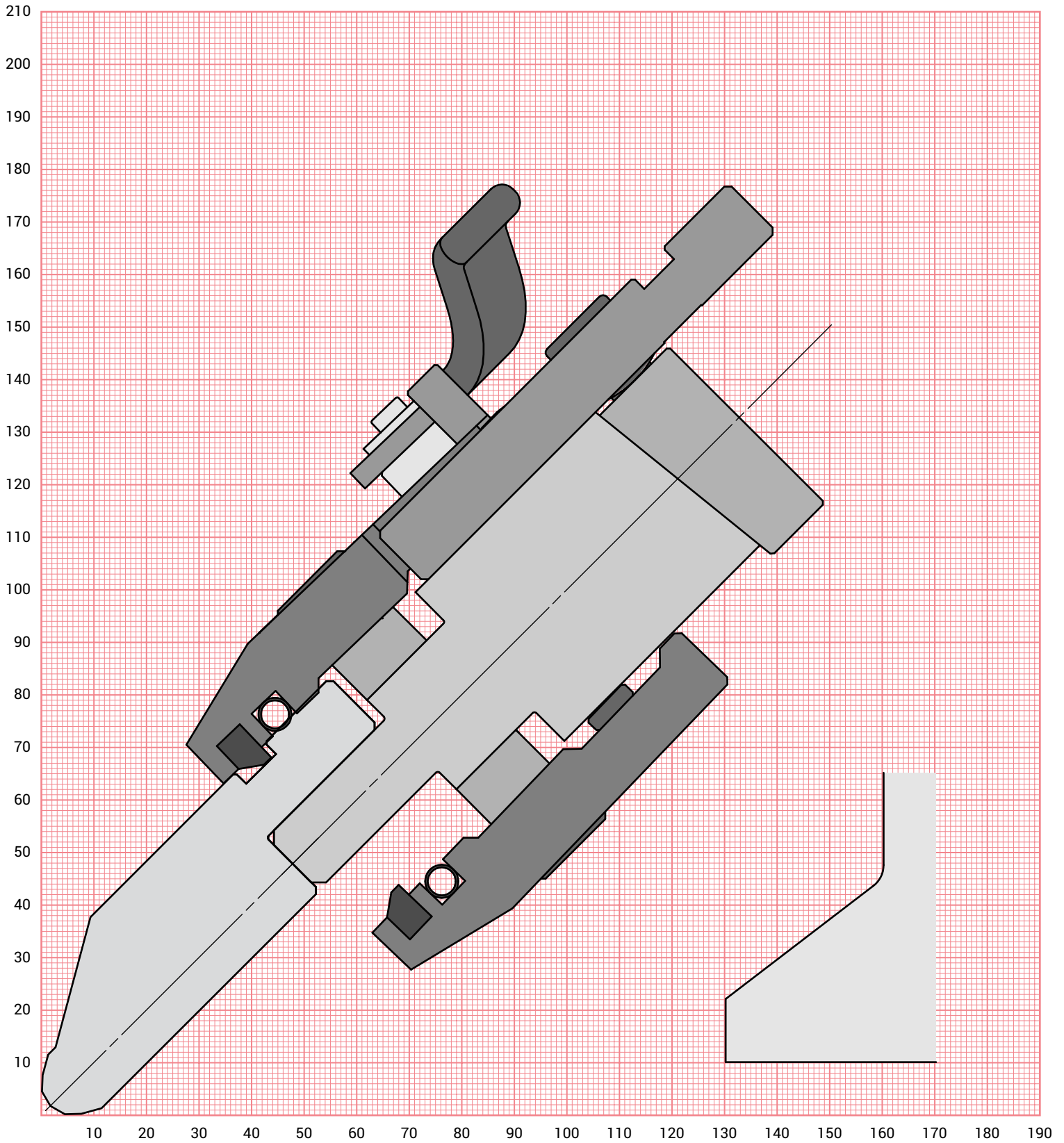
Air bending force chart

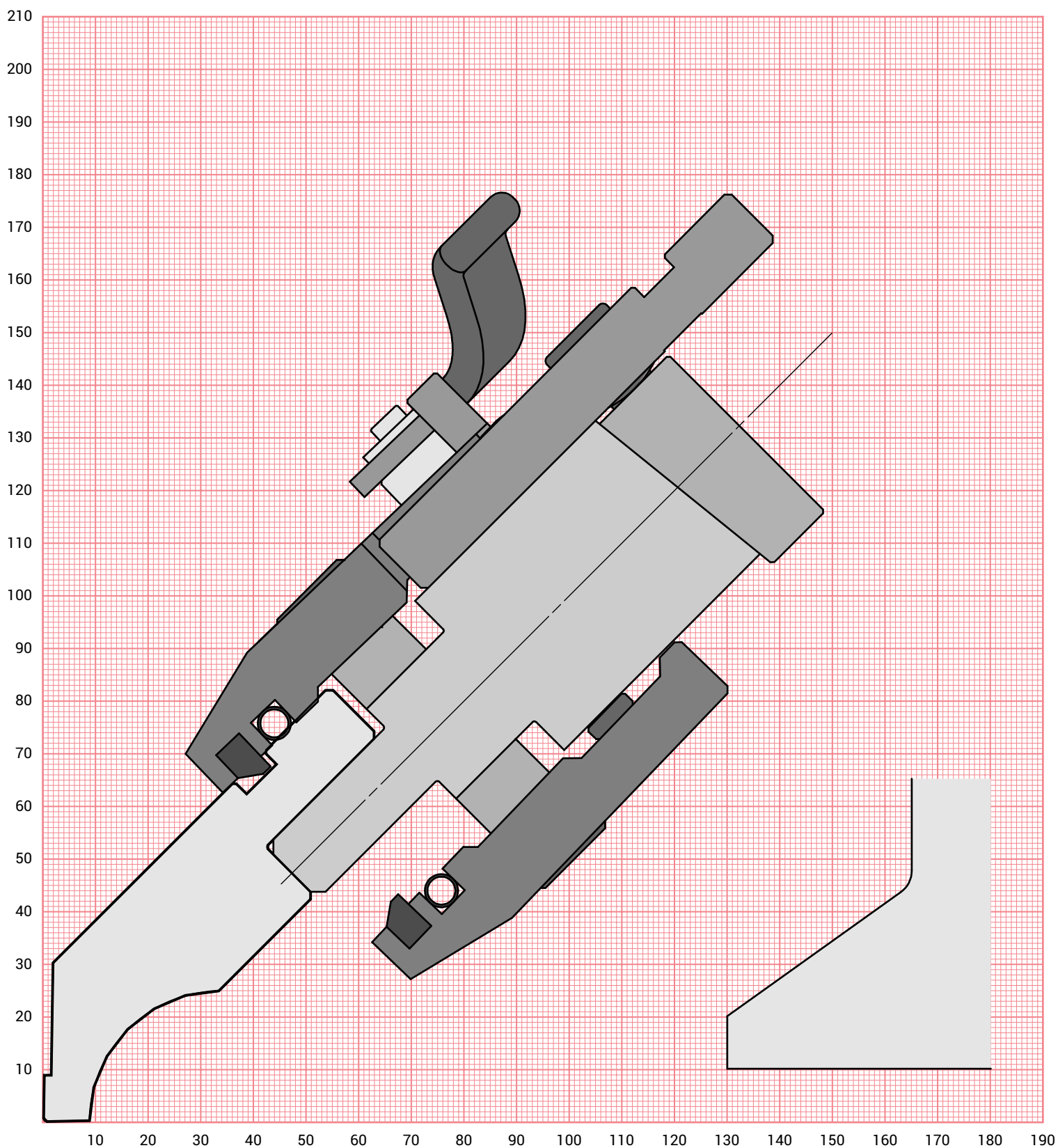
Stainless steel

Die opening V	4	6	7	8	10	12	14	16	18	20	25	32	40	50	63	80	100	125	160	200	250	
Minimum flange length b min	2.8	4	5	5.5	7	8.5	10	11	13.5	14	17.5	22	28	35	45	55	71	89	113	140	175	
Bending radius ir	0.7	1.0	1.1	1.3	1.6	2.0	2.3	2.6	3.0	3.3	4.0	5.0	6.5	8.0	10	13	16	20	26	33	41	
0.5 mm	60	50																				
0.6 mm	90	60	60	60																		
0.7 mm	120	80	80	60	60																	
0.8 mm		110	110	80	70																	
0.9 mm		130	120	100	80	70																
1.0 mm		170	150	120	110	80																
1.2 mm			210	180	150	120	110	90														
1.5 mm						200	170	150	130	120												
2.0 mm						330	290	260	230	200	170											
2.5 mm								390	350	300	250	190										
3.0 mm									510	450	360	290	230									
4.0 mm											650	510	410	320	260							
5.0 mm												780	630	500	390	320						
6.0 mm													900	720	570	450	360					
8.0 mm															1020	810	650	510				
10 mm																1280	1010	800	630			
12 mm																	1440	1170	900	830		
15 mm																		1800	1410	1140		
20 mm																			2500	2080	1670	
25 mm																				3150	2550	
30 mm																						3600

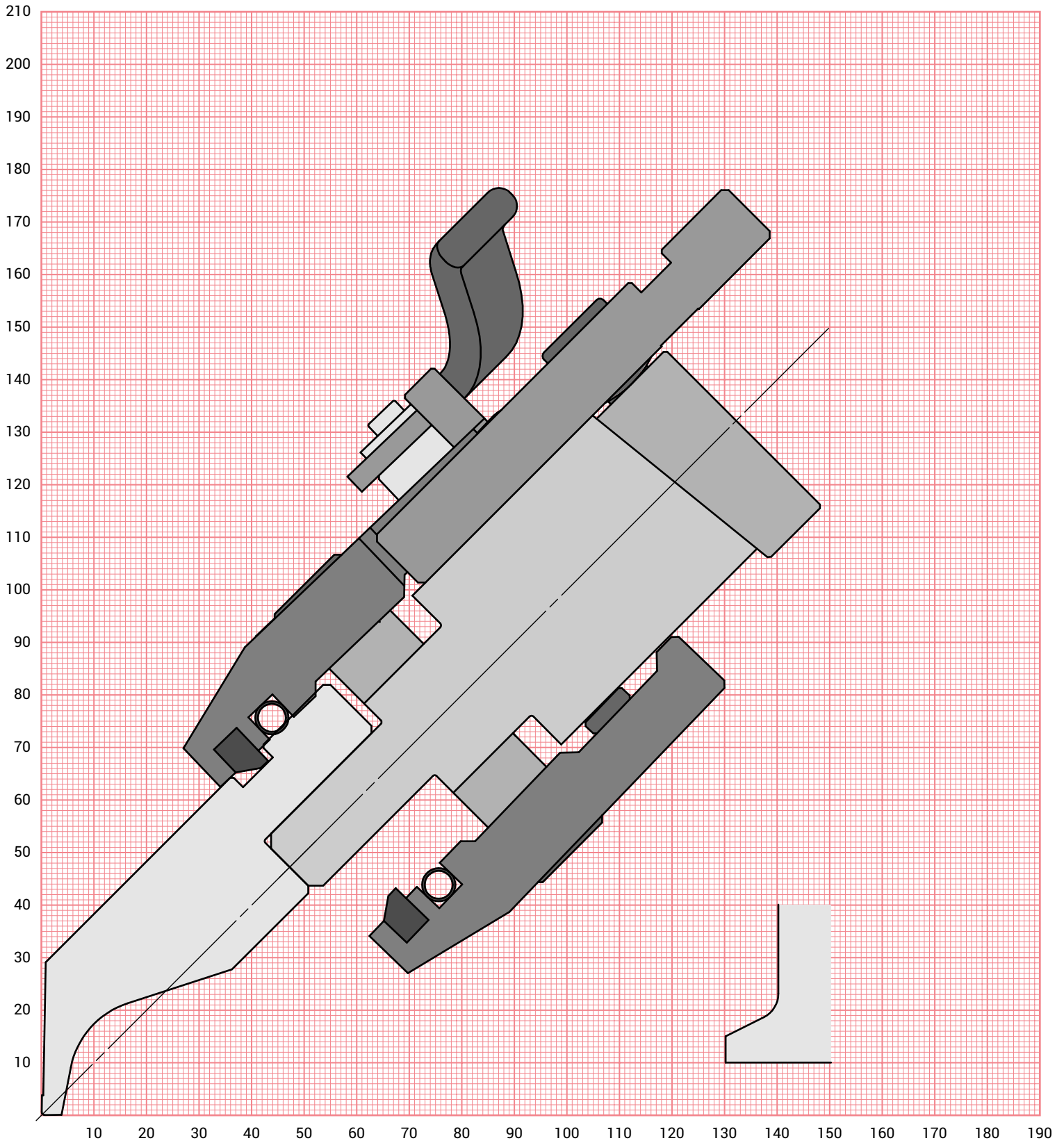
Air bending force chart for stainless steel ($R_m \approx 700 \text{ N/mm}^2$)

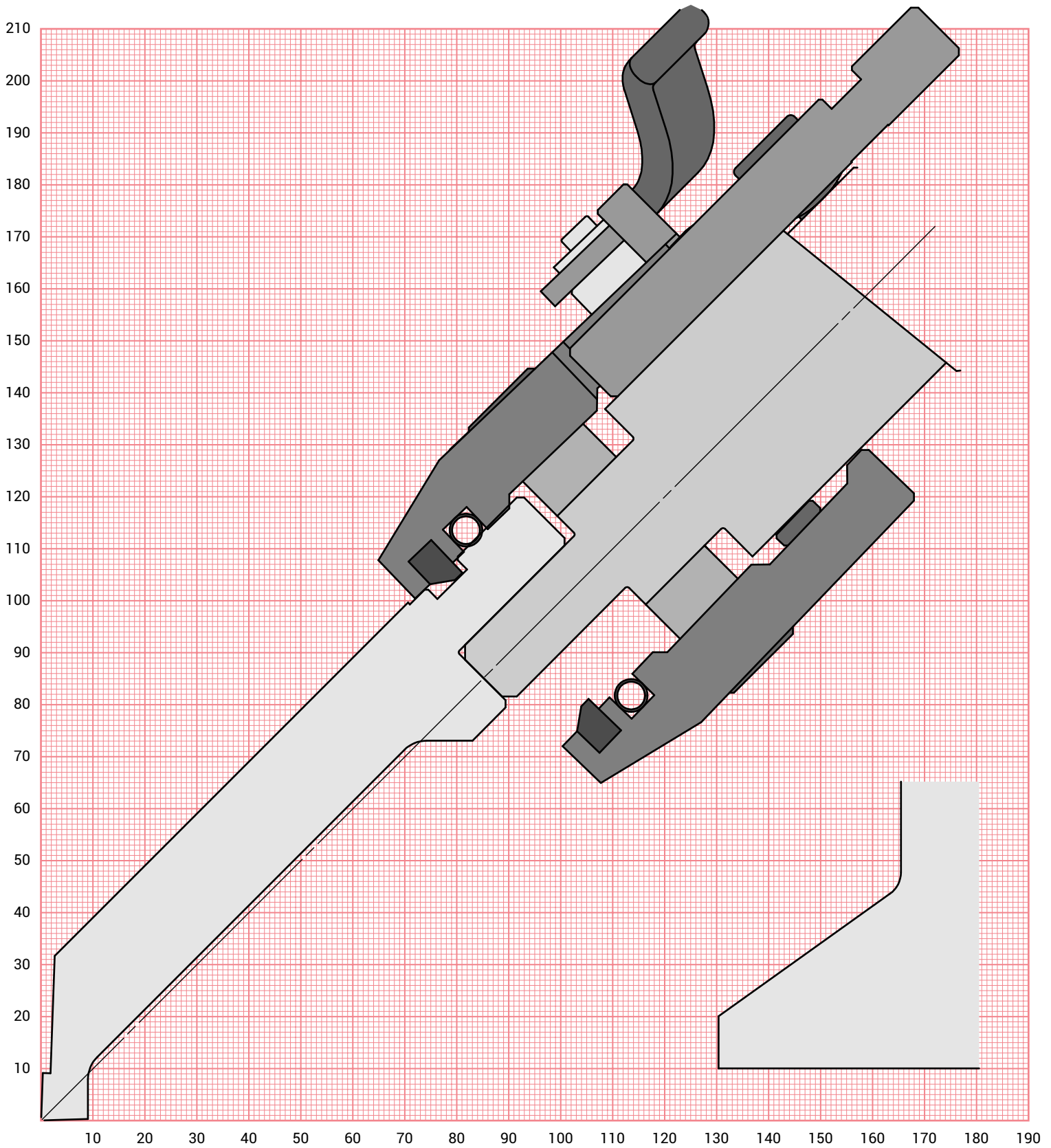
603



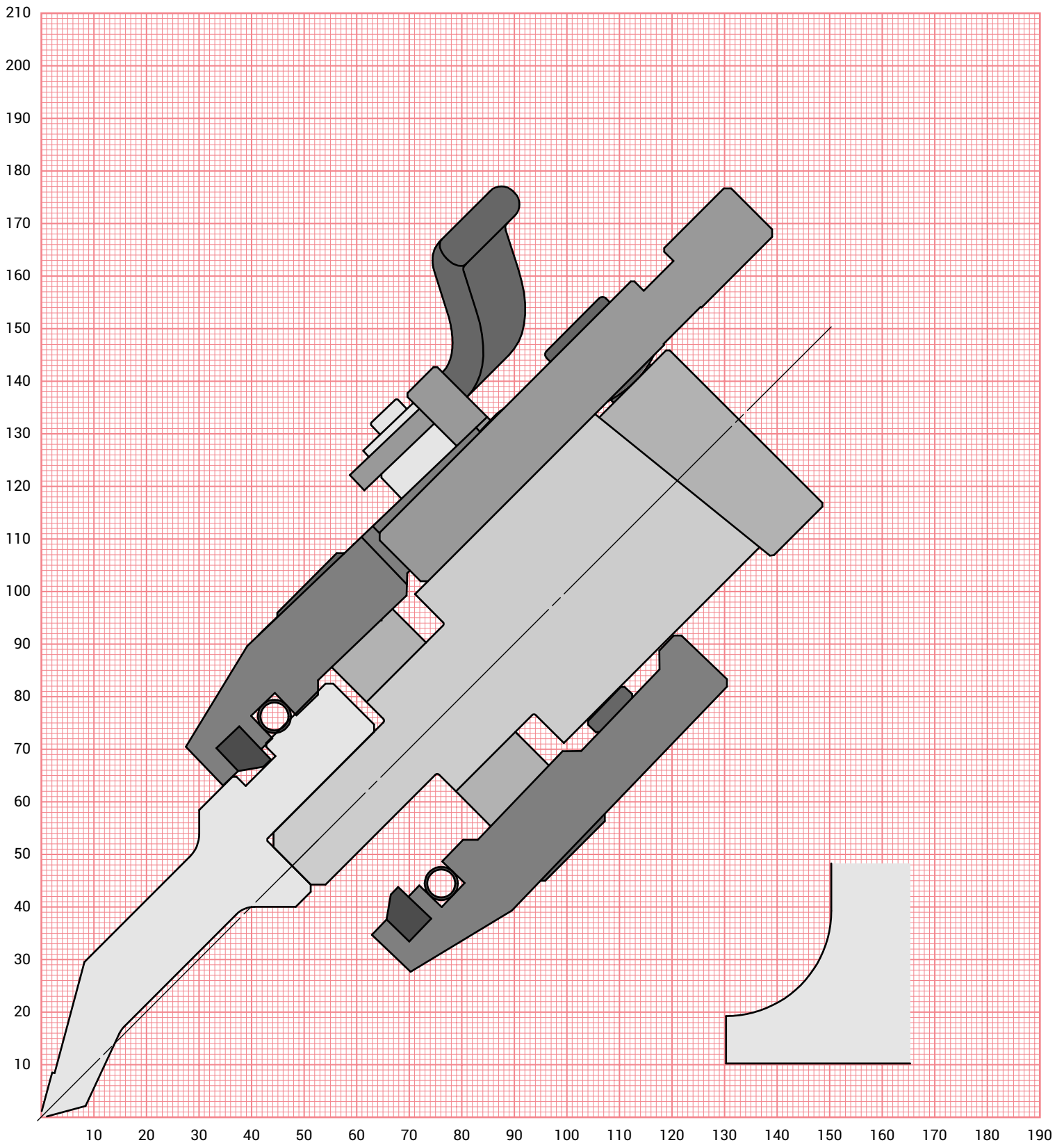


617

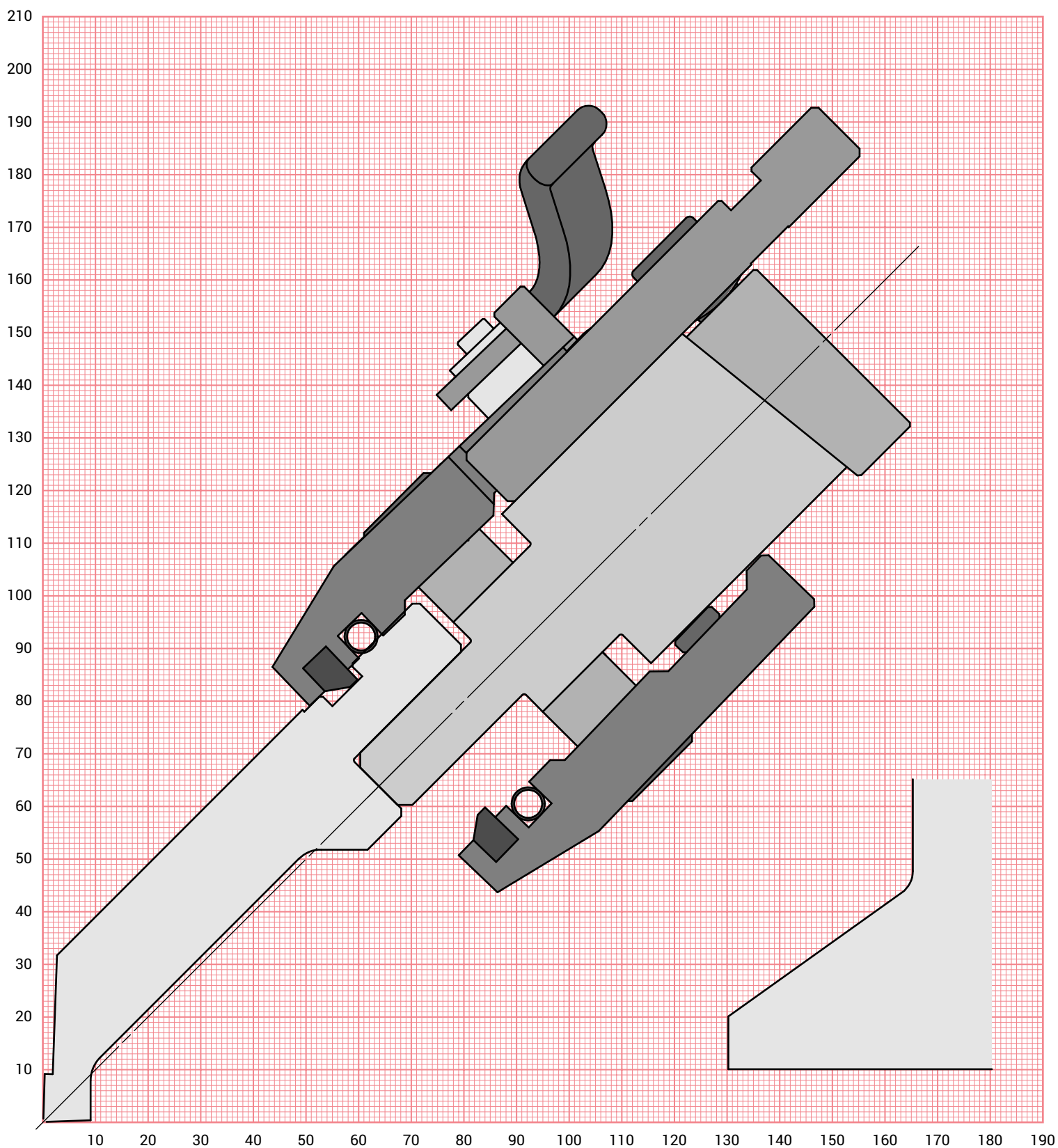


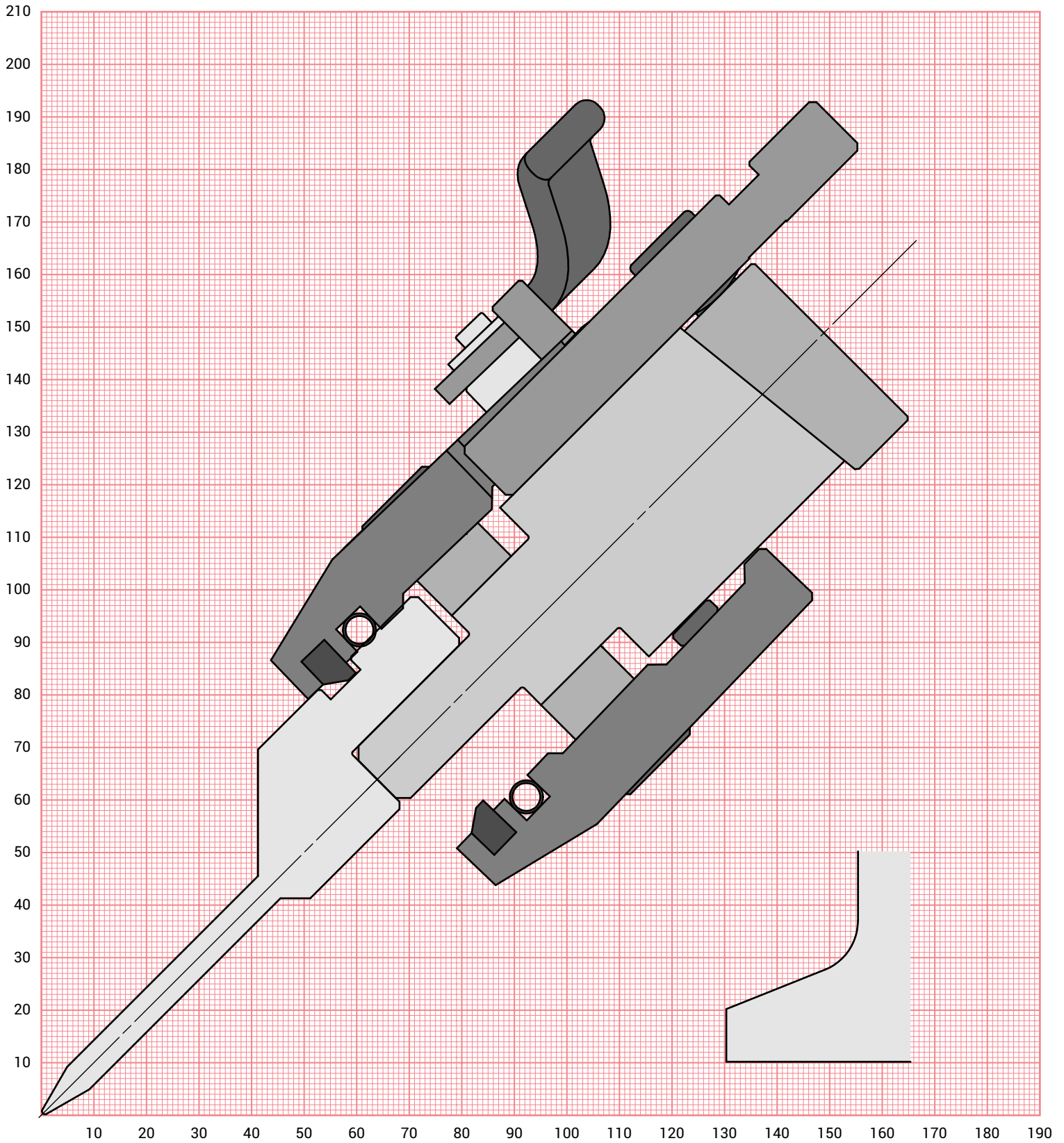


640

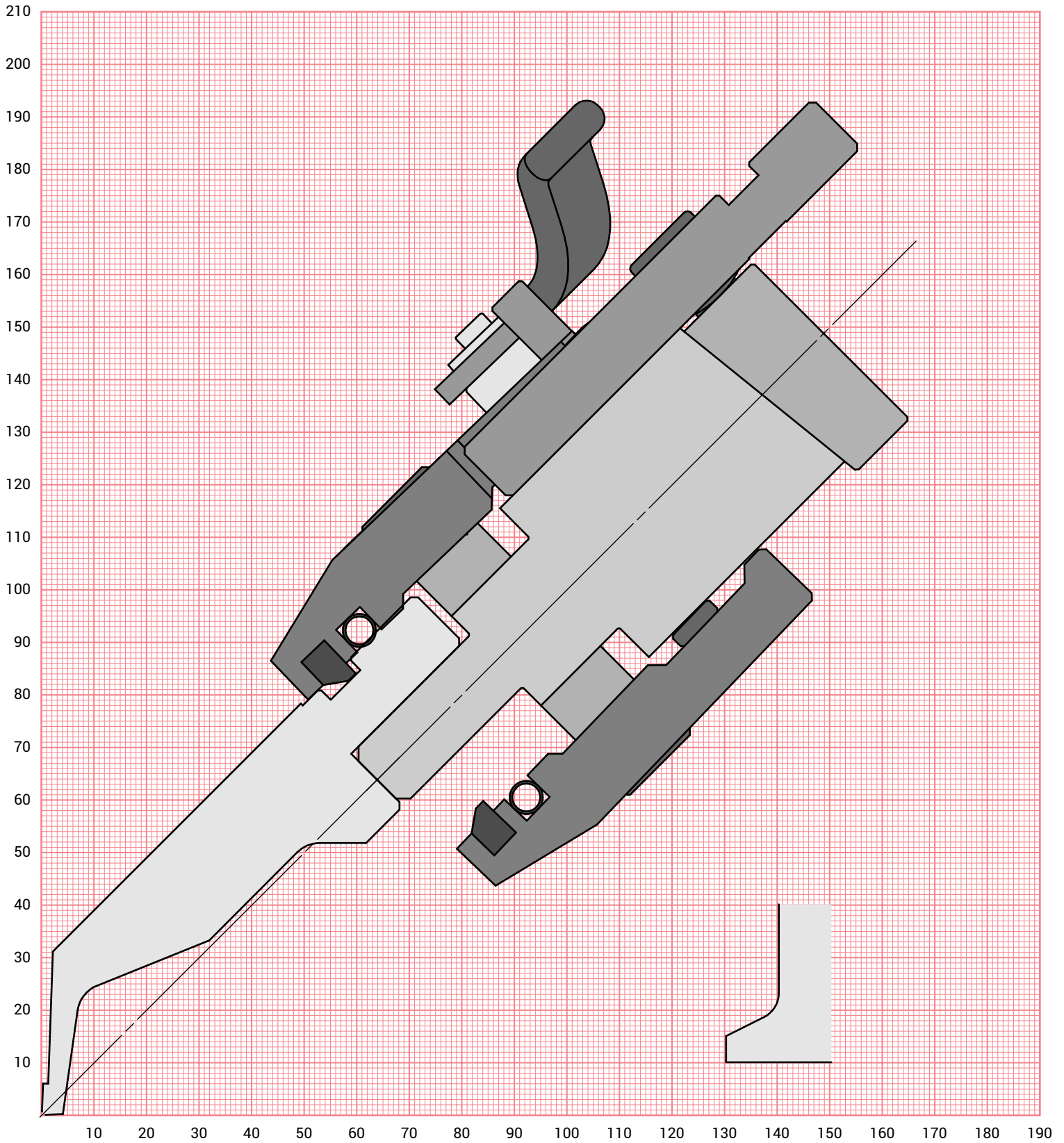


704

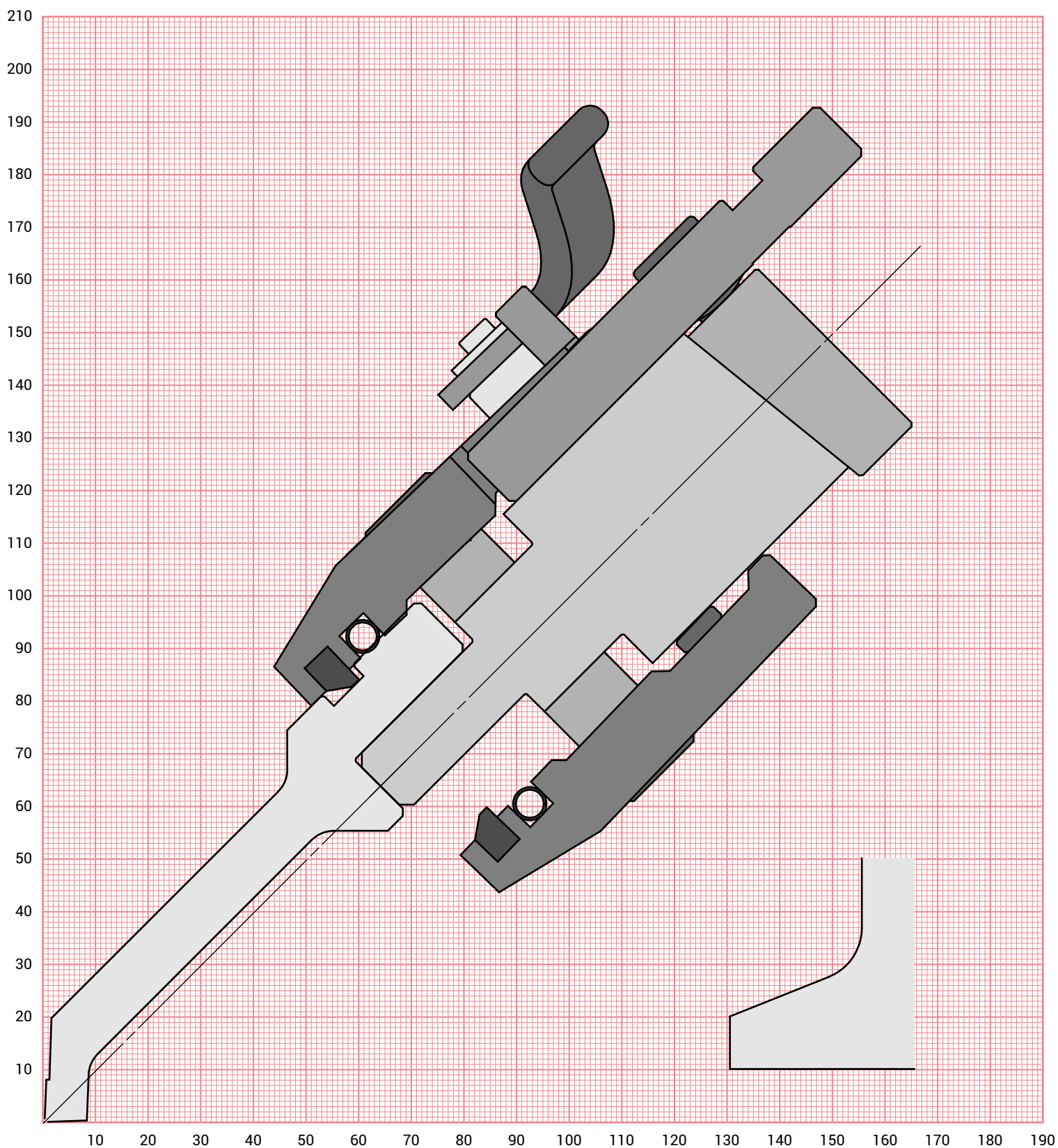




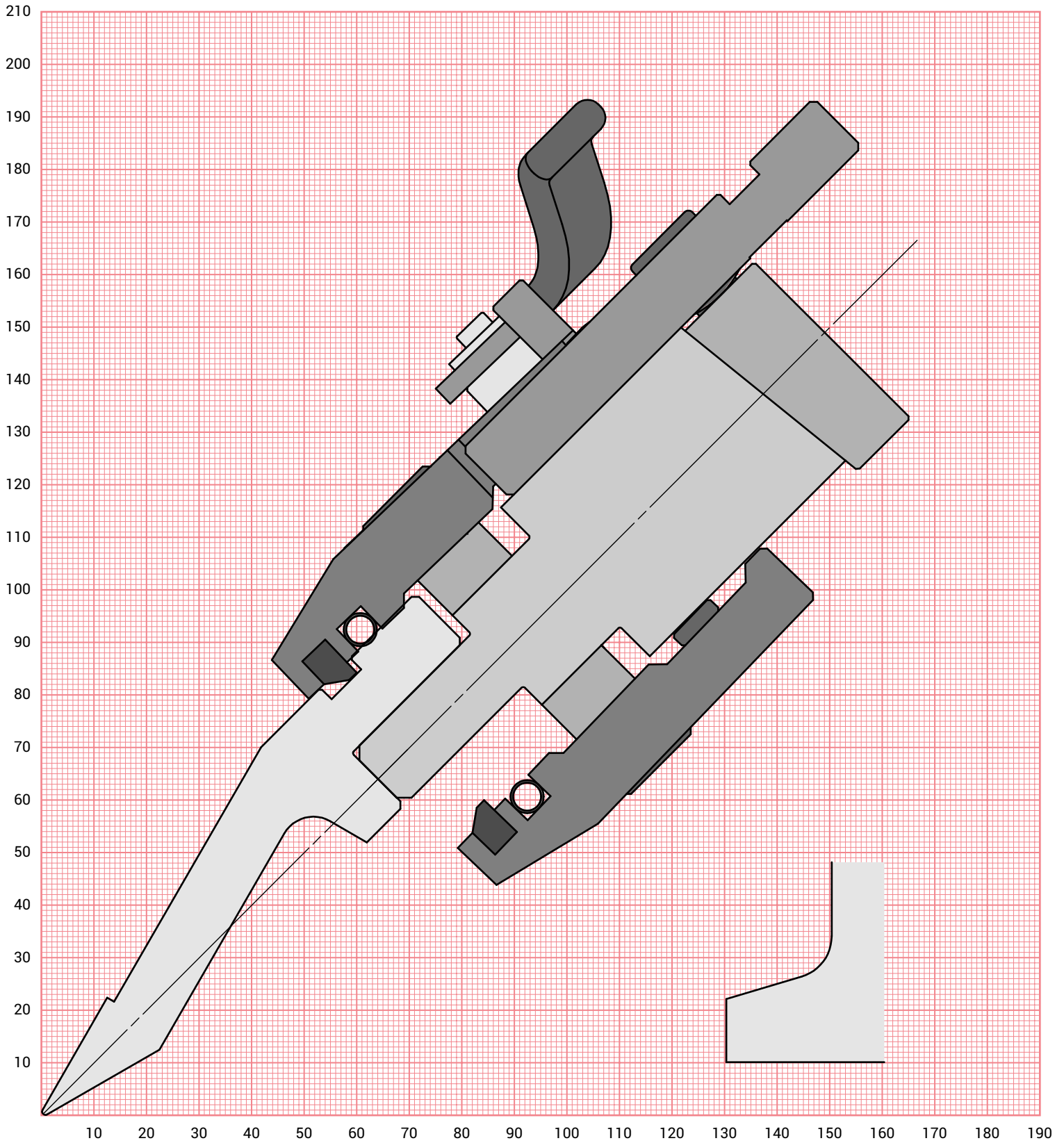
717

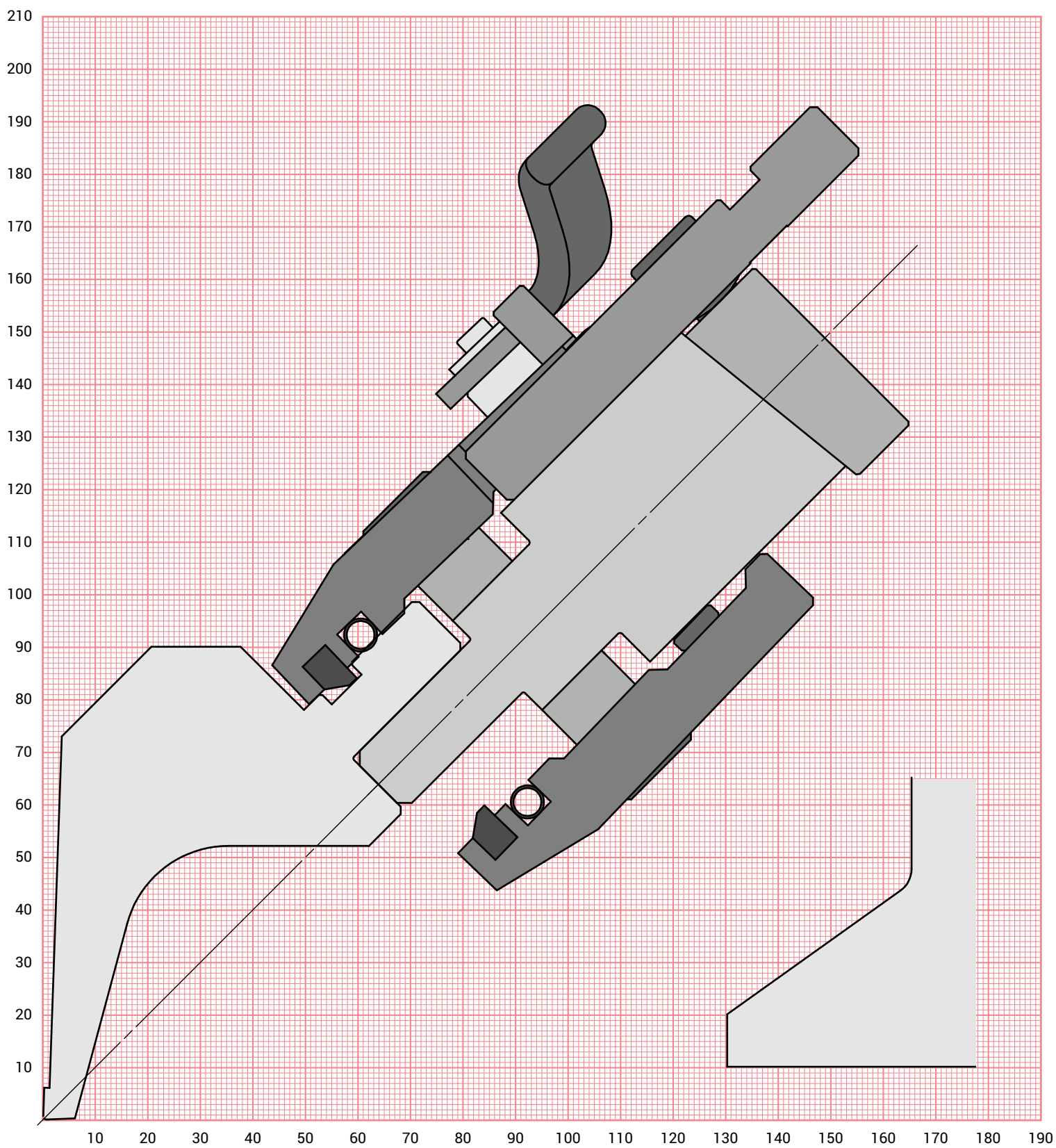


720

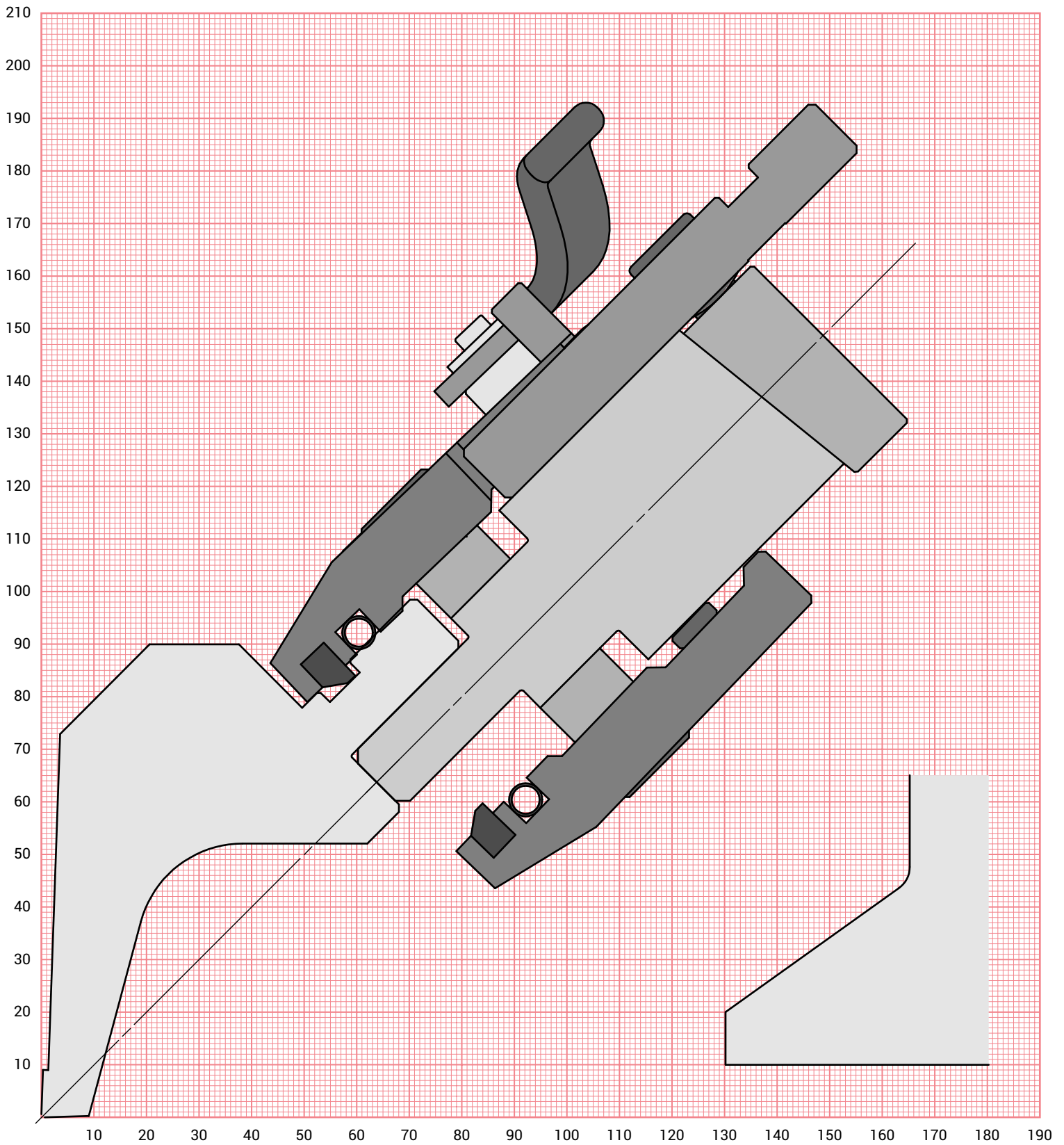


731

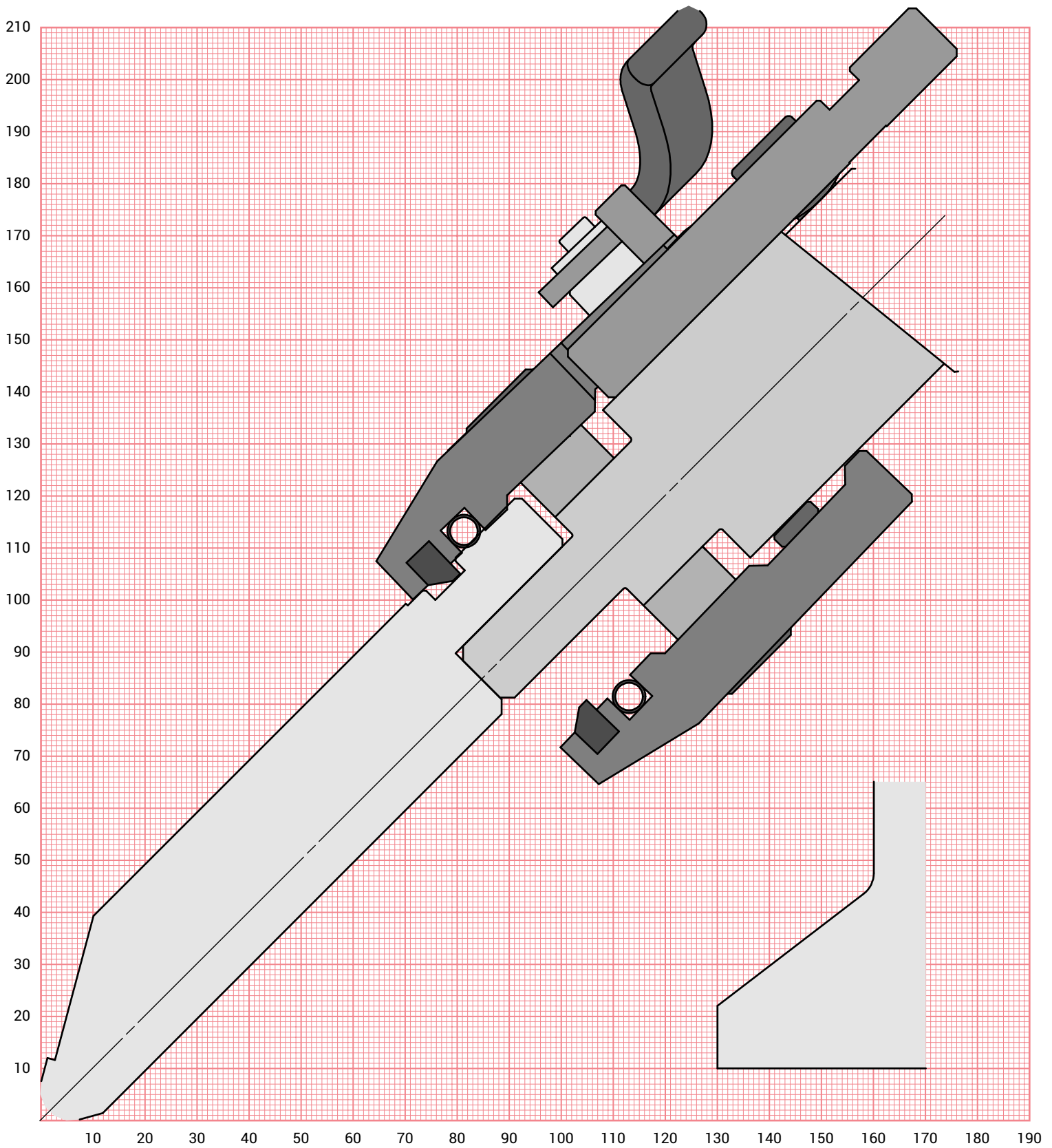


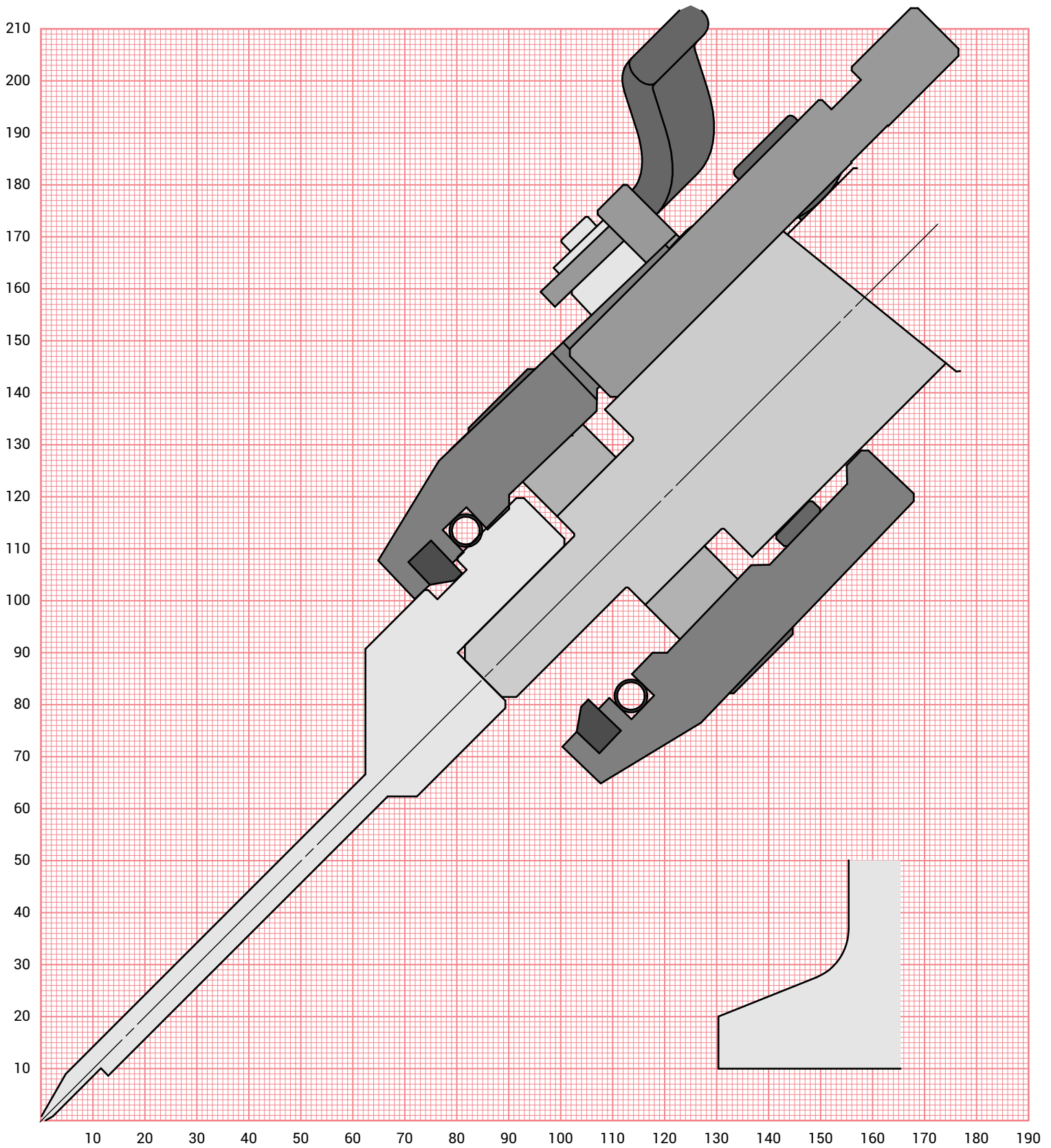


747

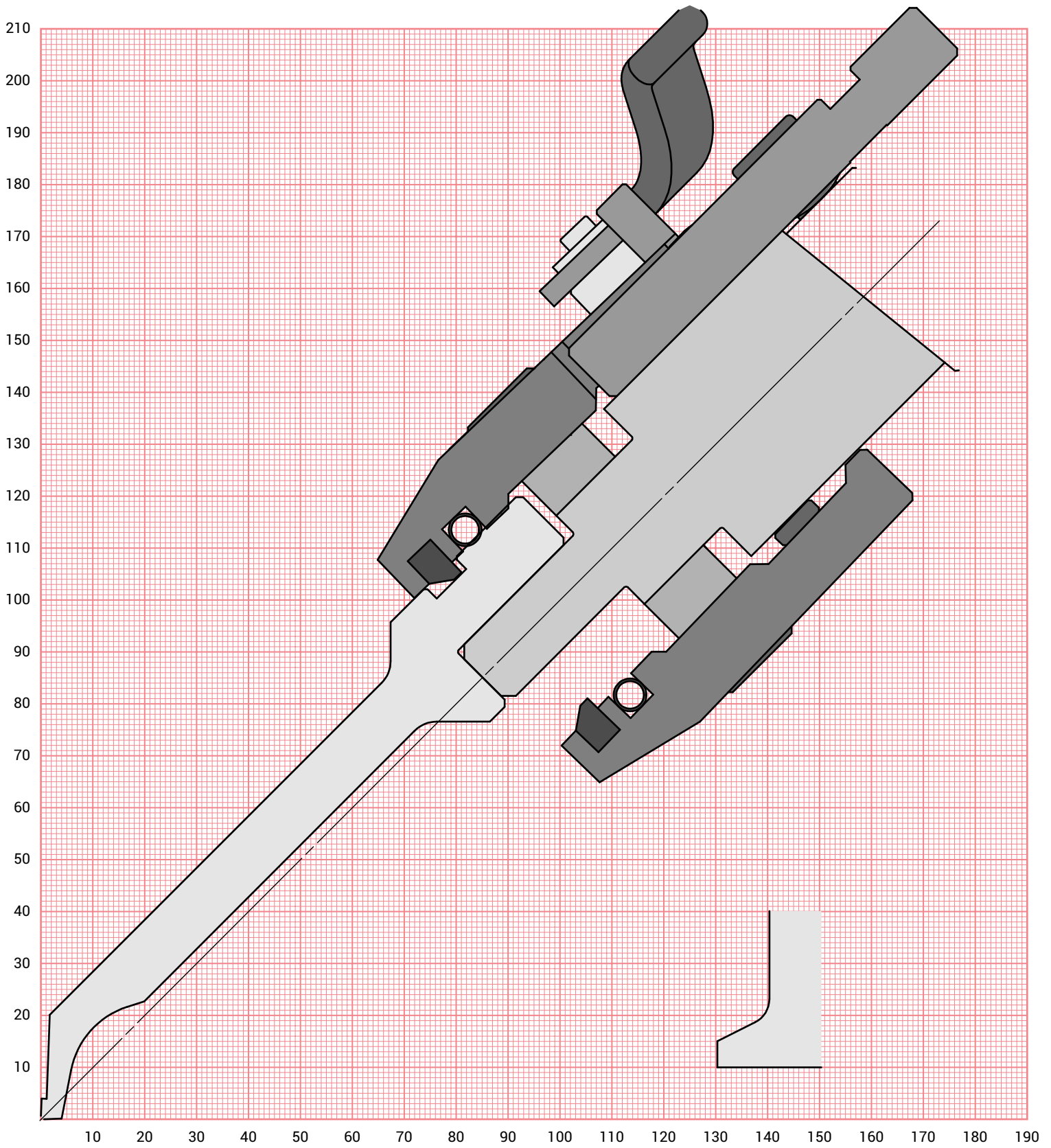


803

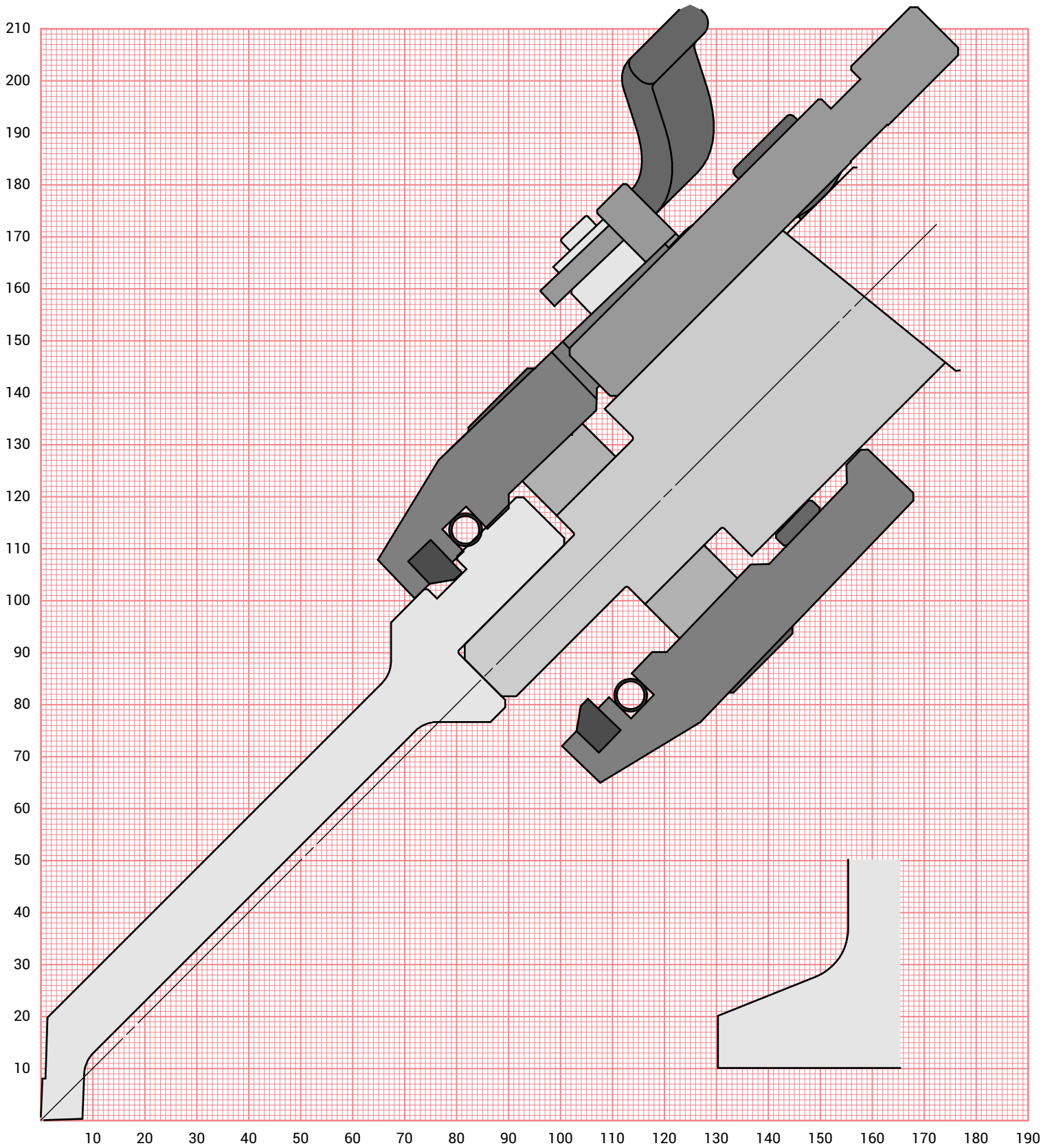




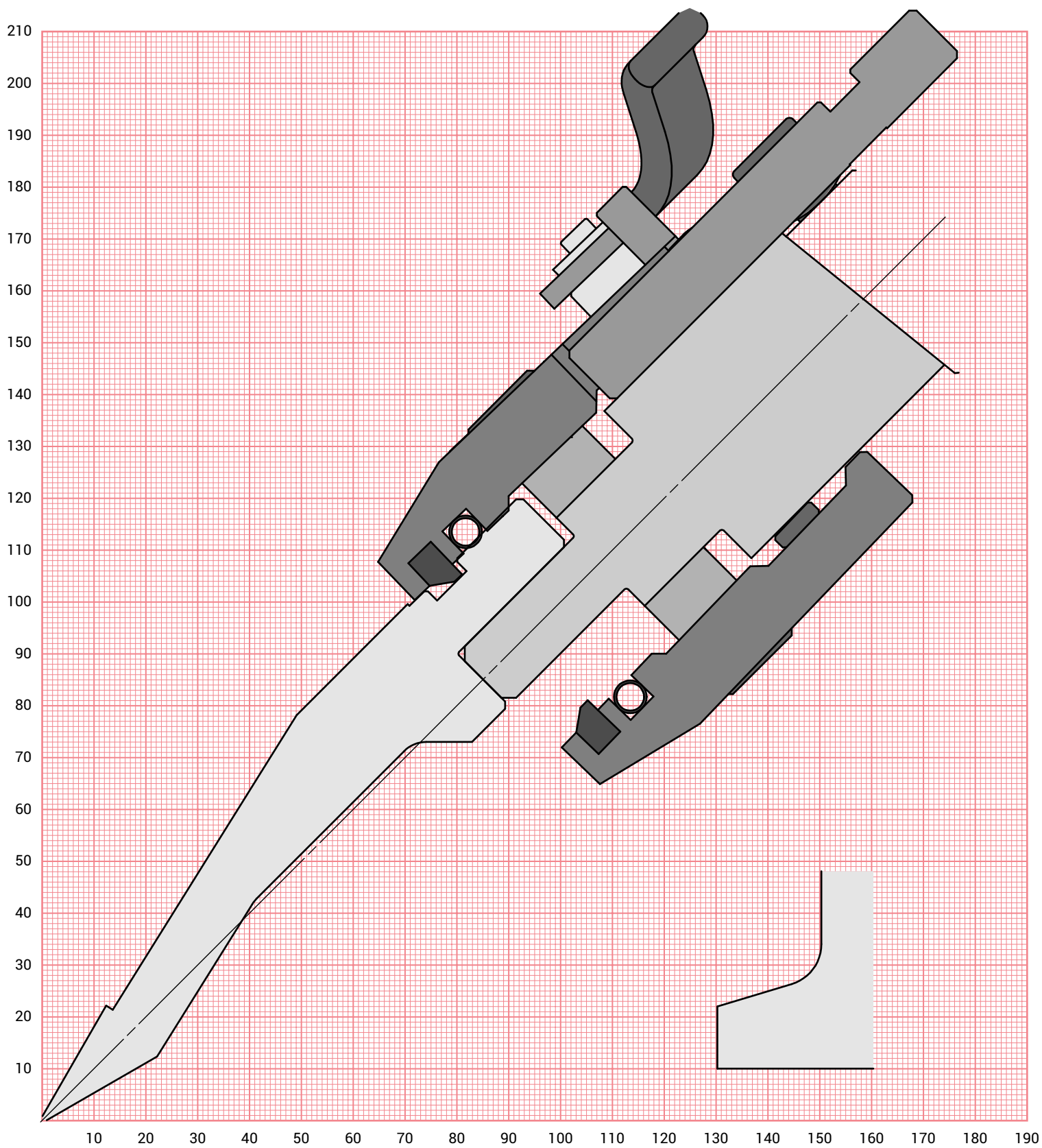
817



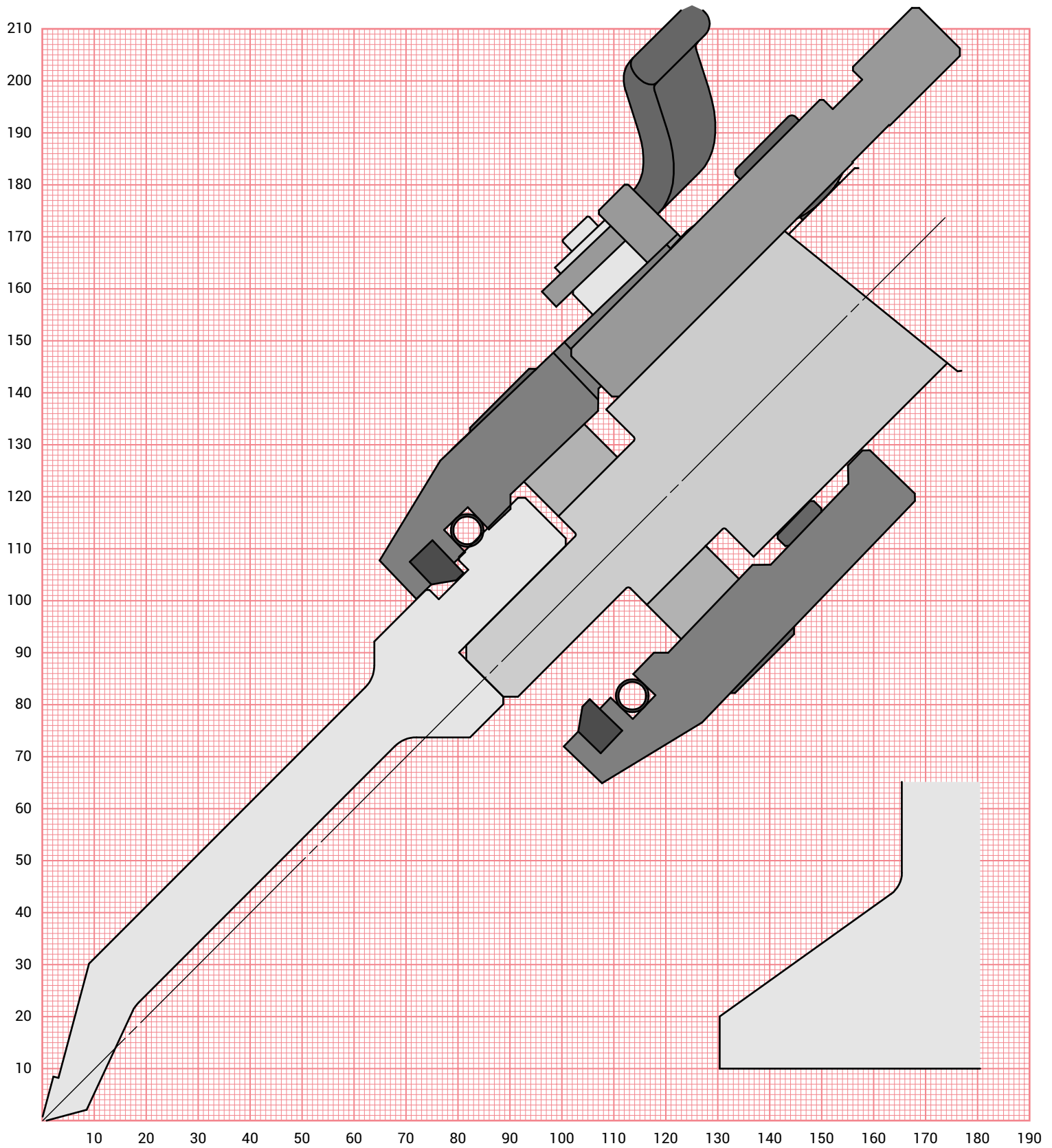
820



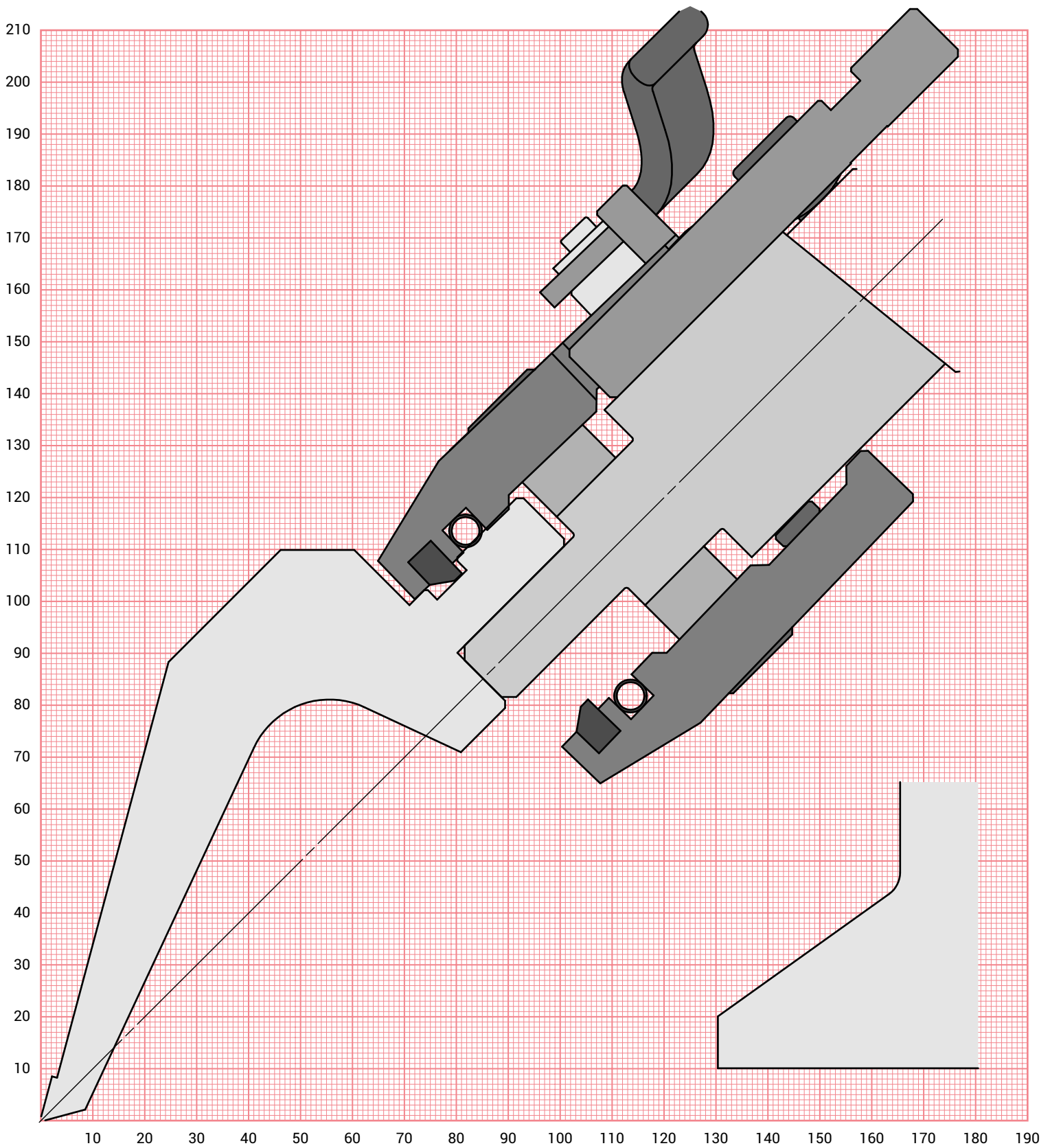
831



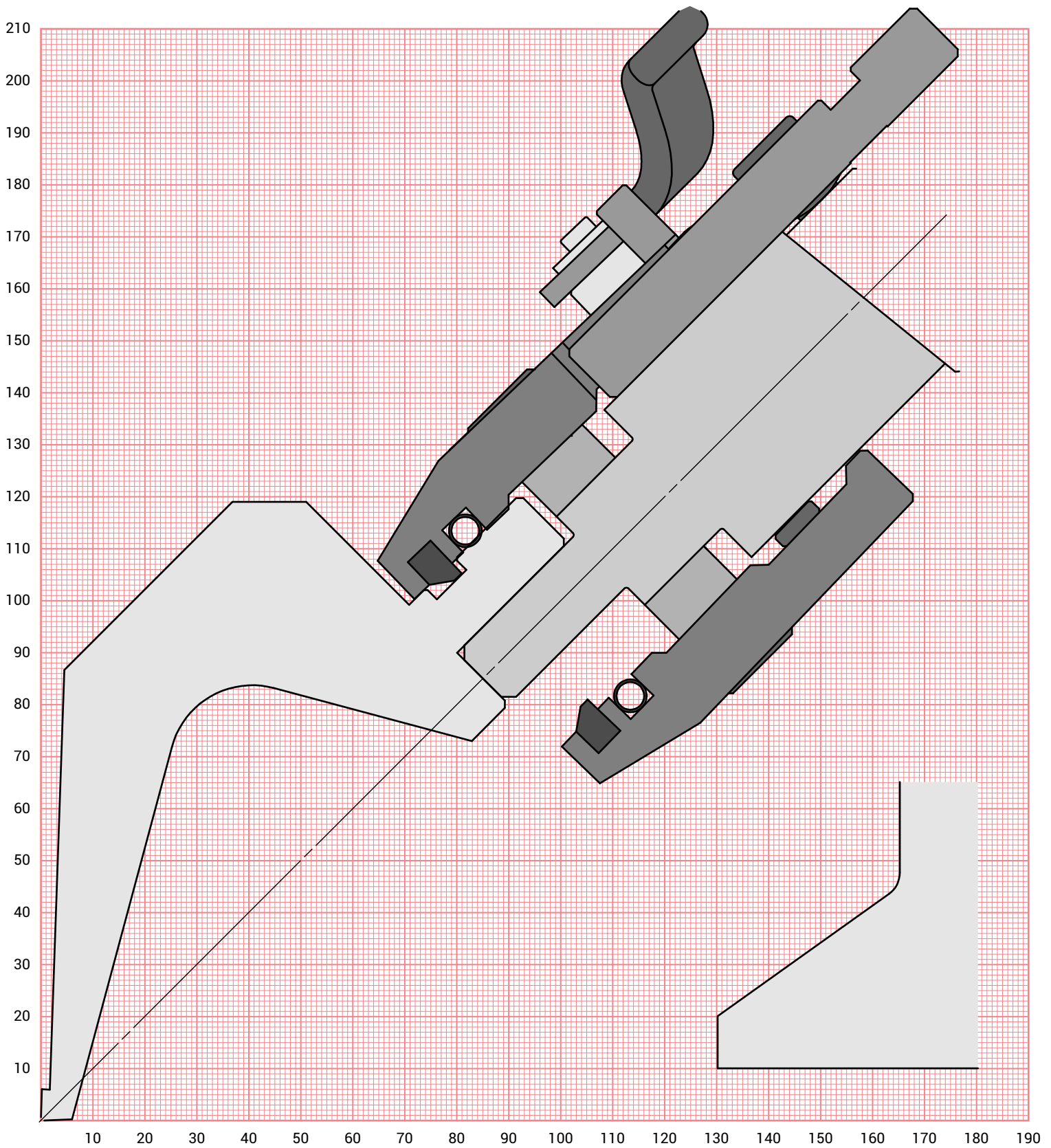
840



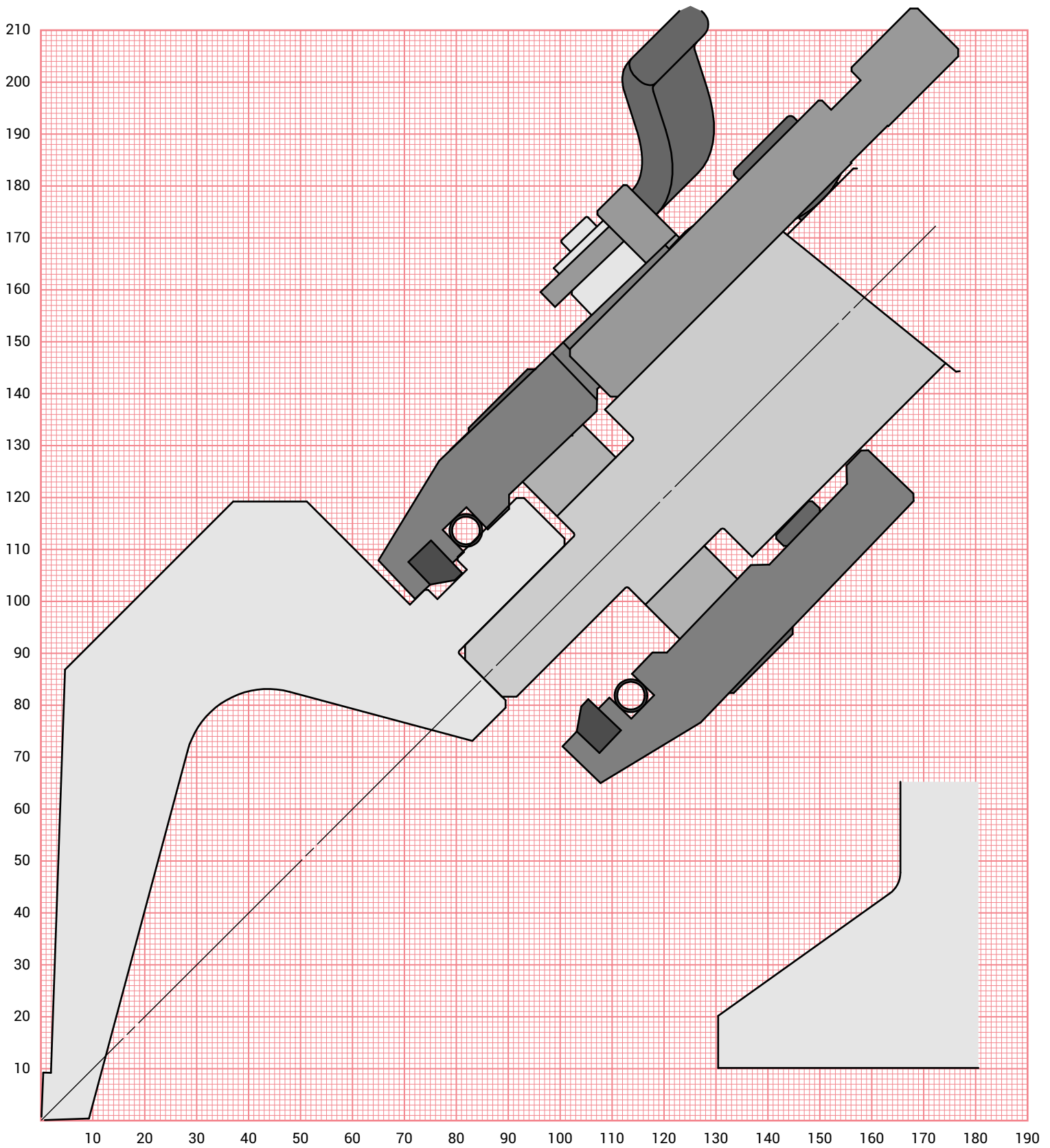
841



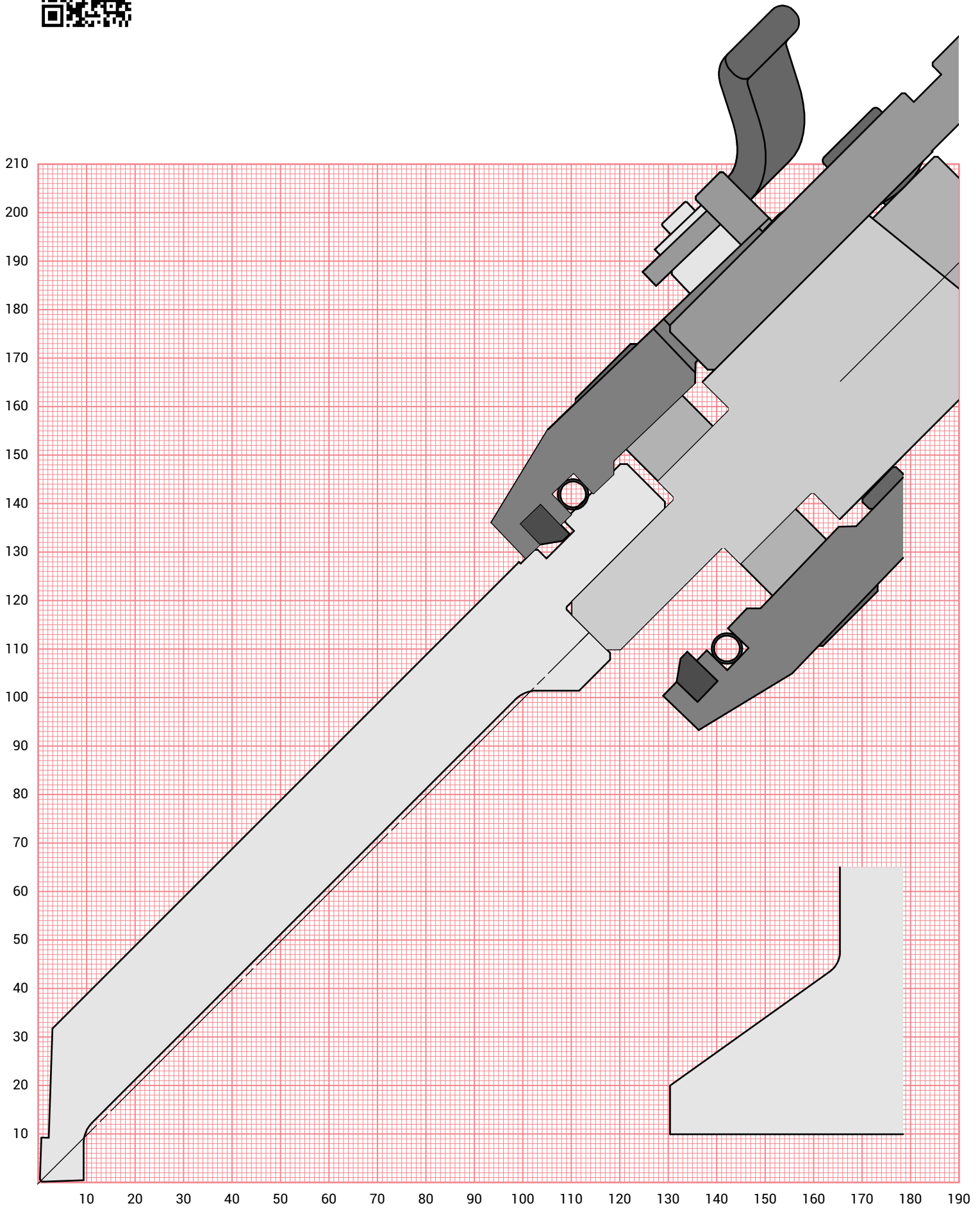
846



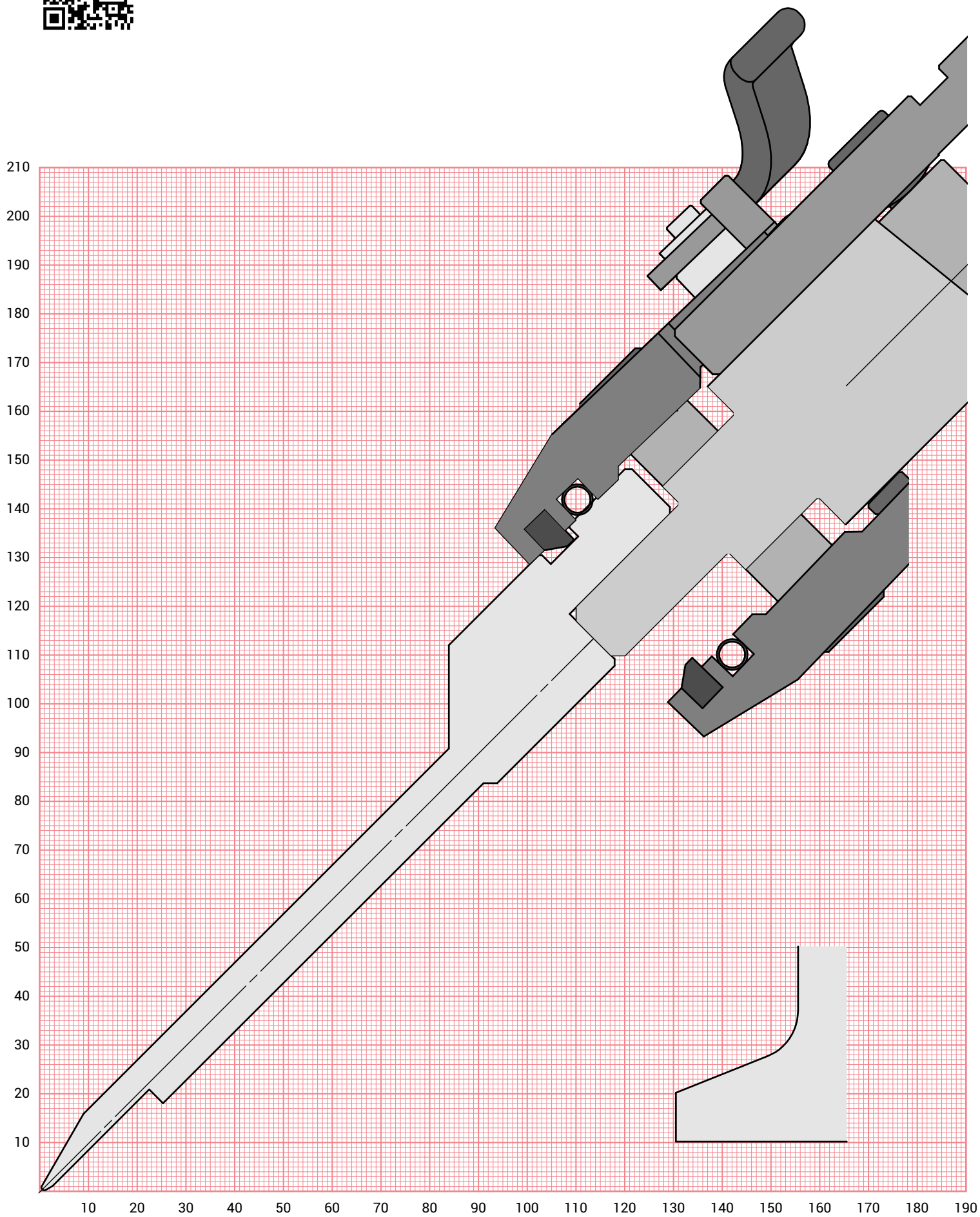
847

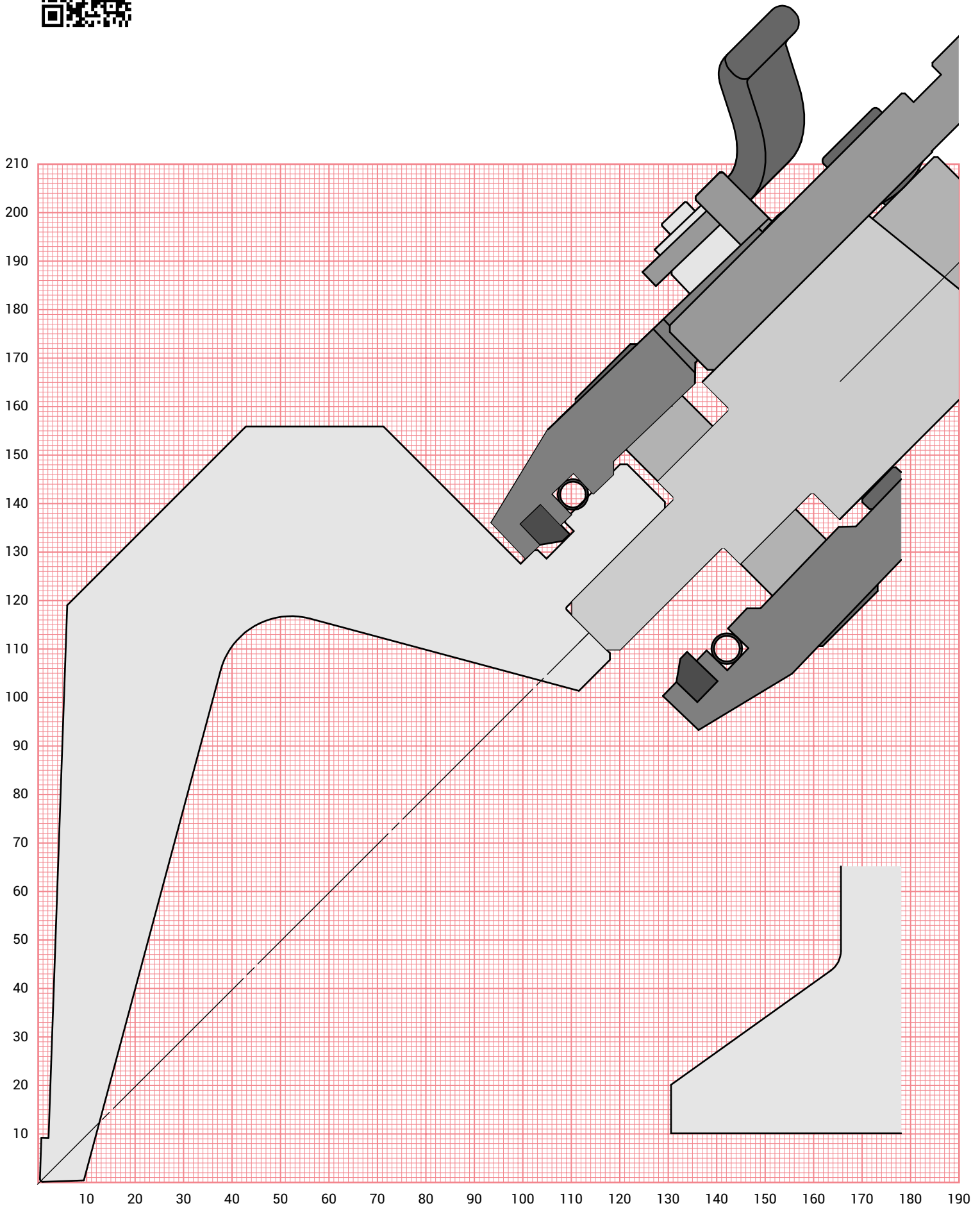


904



914





AMADA GmbH

Amada Allee 1
42781 Haan
Germany

Phone: +49 2104 2126-0
Fax: +49 2104 2126-999
E-Mail: info@amada.de
www.amada.de